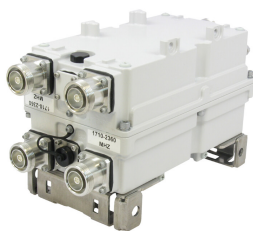


CDX723AT-DS-B | E15V95P49



Twin Diplexer, 698–894 MHz/1710–2360 MHz, dc sense, LOC-bottom

- Automatic dc switching with dc sense
- dc redundancy with dummy current sink
- Integrated layer one converter (AISG modem)
- Convertible mounting brackets
- BTS-to-feeder application
- Stackable to single unit with included hardware
- Stackable in multiples with included hardware

This product will be discontinued on: **March 30, 2024**

Replaced By:

CDX623T-DS-B-43
E16V95P62

Twin Diplexer, 555–894 MHz/1695–2360 MHz, dc sense, 4.3-10 Connectors, LOC-bottom

Product Classification

Product Type Diplexer

General Specifications

Product Family CDX723A

Color Gray

Common Port Label Common

Modularity 2-Twin

Mounting Frame | Pole | Rack | Rod | Wall

Mounting Pipe Hardware Band clamps (2)

RF Connector Interface 7-16 DIN Female

RF Connector Interface Body Style Medium neck

Dimensions

Height 225 mm | 8.858 in

Width 125 mm | 4.921 in

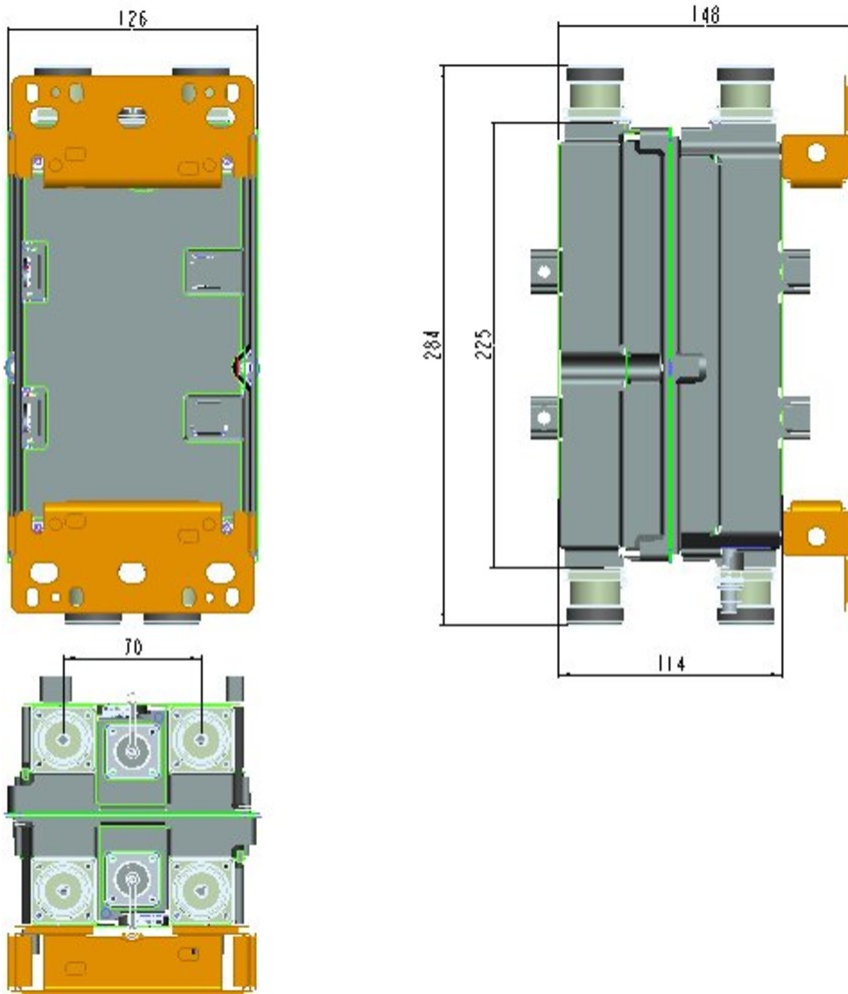
Depth 115 mm | 4.528 in

Ground Screw Diameter 8 mm | 0.315 in

Mounting Pipe Diameter Range 40–160 mm

CDX723AT-DS-B | E15V95P49

Outline Drawing



Electrical Specifications

Impedance	50 ohm
License Band, Band Pass	APT 700 AWS 1700 CEL 850 DCS 1800 EDD 800 IMT 2100 LMR 750 LMR 800 PCS 1900 USA 700 USA 750 WCS 2300

Electrical Specifications, dc Power/Alarm

dc/AISG Pass-through, combiner	dc Sensing
dc/AISG Pass-through, demultiplexer	Branch 2
Lightning Surge Current	10 kA
Lightning Surge Current Waveform	8/20 waveform
Operating Current at Voltage	14 mA @ 12 V 18 mA @ 24 V

CDX723AT-DS-B | E15V95P49

Voltage 7–30 Vdc

Electrical Specifications, AISG

AISG Carrier	2176 KHz ± 100 ppm
AISG Connector	8-pin DIN Male
AISG Connector Standard	IEC 60130-9
Insertion Loss, maximum	0.5 dB
Return Loss, minimum	15 dB

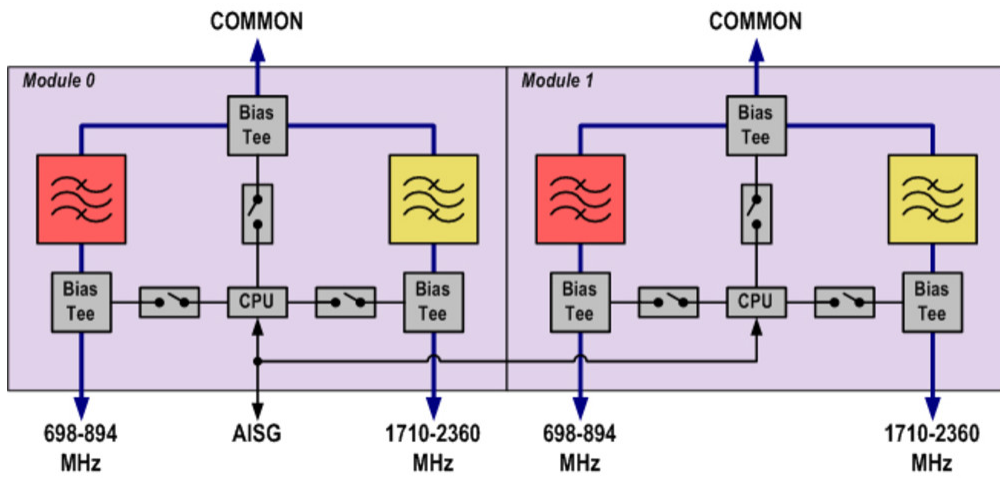
Electrical Specifications

Sub-module	1 2	1 2
Branch	1	2
Port Designation	698–894	1710–2360
License Band	APT 700, Band Pass CEL 850, Band Pass EDD 800, Band Pass LMR 750, Band Pass LMR 800, Band Pass USA 700, Band Pass USA 750, Band Pass	AWS 1700, Band Pass DCS 1800, Band Pass IMT 2100, Band Pass PCS 1900, Band Pass WCS 2300, Band Pass

Electrical Specifications, Band Pass

Frequency Range, MHz	698–894	1710–2360
Insertion Loss, maximum, dB	0.15	0.15
Insertion Loss, typical, dB	0.1	0.1
Total Group Delay, maximum, ns	10	10
Return Loss, minimum, dB	22	22
Return Loss, typical, dB	25	25
Isolation, minimum, dB	60	60
Input Power, RMS, maximum, W	500	500
Input Power, PEP, maximum, W	5000	5000
3rd Order PIM, typical, dBc	-155	-155
3rd Order PIM Test Method	2 x 20 W CW tones	2 x 20 W CW tones

Block Diagram



Logic Table

Combining Mode Operation (Ground Based)				
RF Ports Input Voltage				
AISG Port	698–894 MHz	1710–2360 MHz	COMMON	DC/AISG Path Selection
10-30 V	Any voltage	Any voltage	<7	AISG to Common "ON" 698–894 MHz "OFF" 1710–2360 MHz "OFF"
<10	Any voltage	>19 V	<7	AISG "OFF" 698–894 MHz "OFF" 1710–2360 MHz to COMMON "ON"
<10	7 ≤ V ≤ 30	<7 V	<7	AISG "OFF" 698–894 MHz "ON" 1710–2360 MHz "OFF"
<10	<7 V	7 ≤ V ≤ 30	<7	AISG "OFF" 698–894 MHz "OFF" 1710–2360 MHz to COMMON "ON"

Splitting Mode Operation (Tower top)				
RF Ports Input Voltage				
AISG Port	698–894 MHz	1710–2360 MHz	COMMON	DC/AISG Path Selection
<10 V	Any voltage	Any voltage	>7 V	AISG "OFF" 698–894 MHz "OFF" 1710–2360 MHz to COMMON "ON"
Any 10-30 V	<7 V	<7 V	>7 V	ALL ports OFF

Environmental Specifications

Operating Temperature	-40 °C to +65 °C (-40 °F to +149 °F)
Relative Humidity	5%–100%
Corrosion Test Method	IEC 60068-2-11, 30 days
Ingress Protection Test Method	IEC 60529:2001, IP67

Packaging and Weights

Included	Mounting hardware
Volume	3.2 L
Weight, net	4.6 kg 10.141 lb

Regulatory Compliance/Certifications

Agency	Classification
ISO 9001:2015	Designed, manufactured and/or distributed under this quality management system

