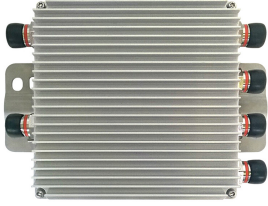


CHB3359T-43 | D15T01P40



Twin Hybrid Combiner 3300-5925MHz, 4.3-10 Connectors

- New combining solution for CBRS and LAA bands
- Ideal for combining carriers of any technology combination (LTE, UMTS, CDMA, GSM, etc.) independent of guard band restrictions
- Integrated low PIM load allows for simplified installation
- Self-contained housing ensures highest reliability in severe environments
- DC-AISG passing capability from Port 2 to Common Port
- New 4.3-10 connectors for improved PIM performance and size reduction

Product Classification

Product Type Hybrid combiner

General Specifications

AISG Carrier 2176 KHz \pm 100 ppm

Color Gray

Connector Interface 4.3-10 Female

Modularity Twin

Mounting Pole | Wall

Mounting Pipe Hardware Band clamps

Dimensions

Height 168 mm | 6.614 in

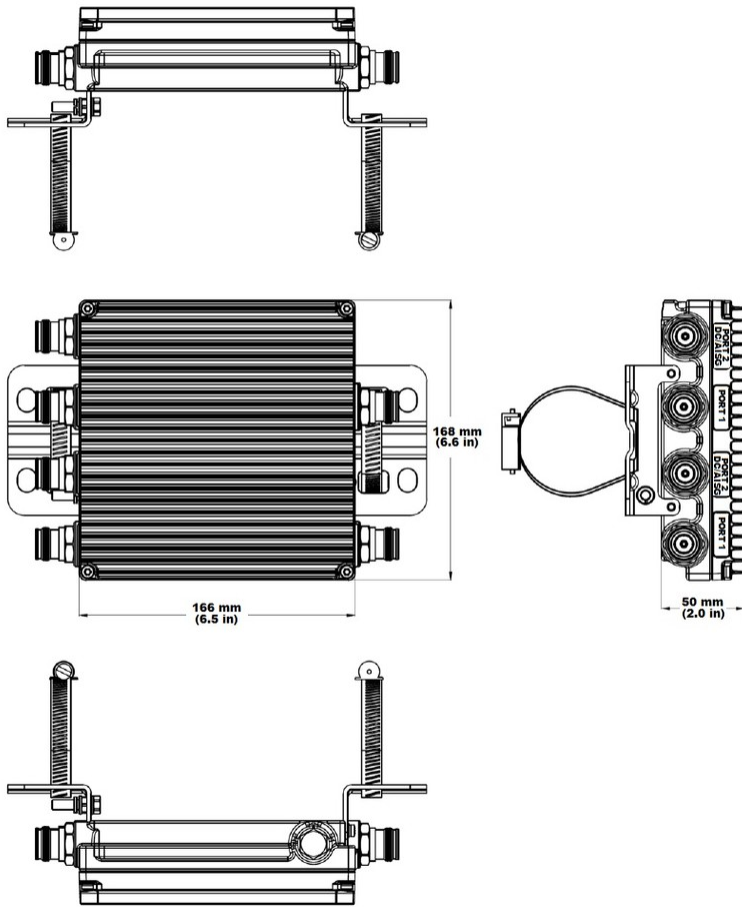
Width 166 mm | 6.535 in

Depth 50 mm | 1.969 in

Ground Screw Diameter 6 mm | 0.236 in

Outline Drawing

CHB3359T-43 | D15T01P40



Electrical Specifications

3rd Order IMD Test Method	Two +43 dBm carriers
3rd Order IMD, typical	-161 dBc
dc Pass-through	Branch 2
Lightning Surge Current	10 kA
Lightning Surge Current Waveform	8/20 waveform

Electrical Specifications, AISG

dc Current, maximum	2.5 A
----------------------------	-------

Electrical Specifications, Branch 1

Coupling	3.2 dB
-----------------	--------

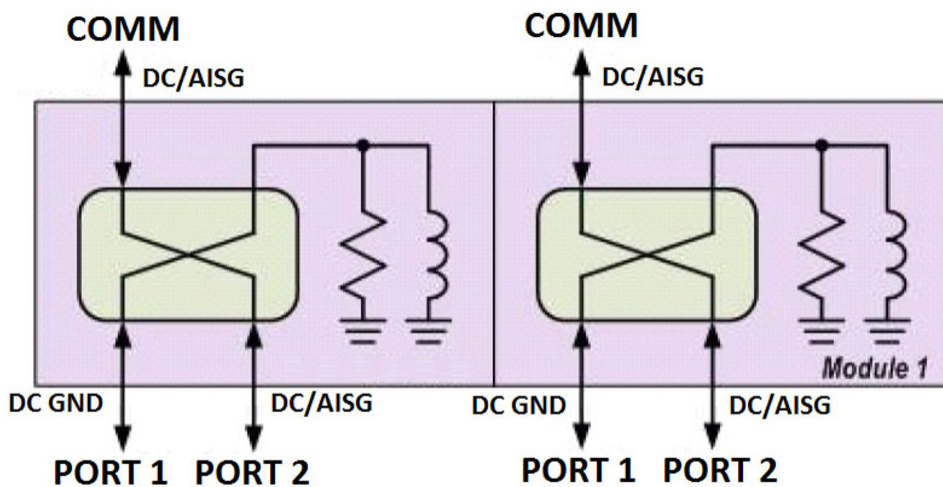
CHB3359T-43 | D15T01P40

Coupling Tolerance	±0.5 dB
Input Power, PEP	400 W
Input Power, RMS	25 W
Isolation, minimum	25 dB
Operating Frequency Band	3300 – 5925 MHz
Port Designation	Port 1
Return Loss, typical	22 dB

Electrical Specifications, Branch 2

Coupling	3.2 dB
Coupling Tolerance	±0.5 dB
Input Power, PEP	400 W
Input Power, RMS	25 W
Isolation, minimum	25 dB
Operating Frequency Band	3300 – 5925 MHz
Port Designation	Port 2
Return Loss, typical	22 dB

Block Diagram



Environmental Specifications

Operating Temperature	-40 °C to +65 °C (-40 °F to +149 °F)
------------------------------	--------------------------------------

CHB3359T-43 | D15T01P40

Ingress Protection Test Method IEC 60529:2001, IP67

Packaging and Weights

Included Mounting hardware

Weight, net 2.6 kg | 5.732 lb

Regulatory Compliance/Certifications

Agency

ISO 9001:2015

Classification

Designed, manufactured and/or distributed under this quality management system