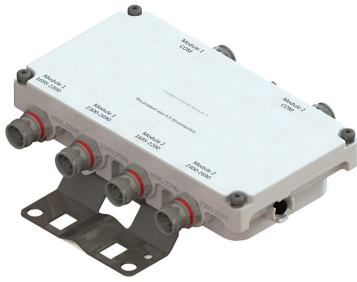


# CBC1726T-4310 | E14F55P09



## Ultra Compact Twin Diplexer 1695-2200/2300-2690 MHz, 4.3-10 connectors

- Ideal for small cell applications
- Compact form factor with reduced size and weight
- Suitable for space limited applications like Metro Cell, Lamp Pole and Concealment Solution
- Industry leading PIM performance
- Designed for network modernization application, introduction of LTE 4x4 MIMO
- Twin configuration
- New 4.3-10 connectors for improved PIM performance and size reduction

## Product Classification

**Product Type** Diplexer

## General Specifications

**Product Family** CBC1726

**Color** Gray

**Common Port Label** Common

**Modularity** 2-Twin

**RF Connector Interface** 4.3-10 Female

**RF Connector Interface Body Style** Long neck

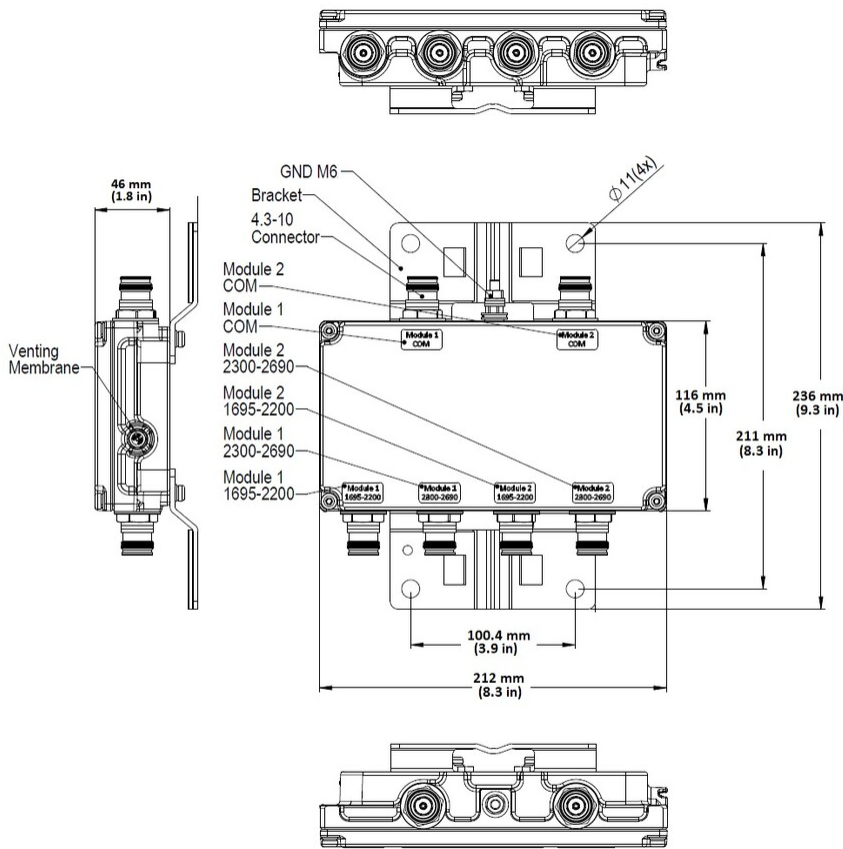
## Dimensions

**Height** 212 mm | 8.346 in

**Width** 116 mm | 4.567 in

**Depth** 46 mm | 1.811 in

## Outline Drawing



## Electrical Specifications

<b>Impedance</b>	50 ohm
<b>License Band, Band Pass</b>	AWS 1700   DCS 1800   IMT 2100   IMT 2600   PCS 1900   TDD 2300   TDD 2600   WCS 2300

## Electrical Specifications, dc Power/Alarm

<b>dc/AISG Pass-through Method</b>	No dc/AISG pass-through
<b>dc/AISG Pass-through, combiner</b>	dc/AISG blocking on all ports
<b>dc/AISG Pass-through, demultiplexer</b>	dc/AISG blocking on all ports
<b>Lightning Surge Current</b>	5 kA
<b>Lightning Surge Current Waveform</b>	8/20 waveform

# CBC1726T-4310 | E14F55P09

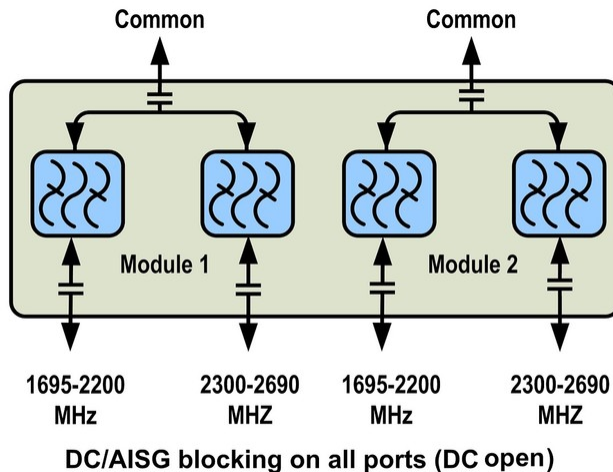
## Electrical Specifications

<b>Sub-module</b>	<b>1   2</b>	<b>1   2</b>
<b>Branch</b>	1	2
<b>Port Designation</b>	Port 1695-2200	Port 2300-2690
<b>License Band</b>	DCS 1800, Band Pass IMT 2100, Band Pass AWS 1700, Band Pass PCS 1900, Band Pass	TDD 2600, Band Pass TDD 2300, Band Pass WCS 2300, Band Pass IMT 2600, Band Pass

## Electrical Specifications, Band Pass

<b>Frequency Range, MHz</b>	<b>1695–2200</b>	<b>2300–2690</b>
<b>Insertion Loss, typical, dB</b>	0.25	0.25
<b>Total Group Delay, maximum, ns</b>	12	12
<b>Return Loss, minimum, dB</b>	20	20
<b>Return Loss, typical, dB</b>	23	23
<b>Isolation, typical, dB</b>	40	40
<b>Input Power, RMS, maximum, W</b>	100	100
<b>Input Power, PEP, maximum, W</b>	1500	1500
<b>3rd Order PIM, maximum, dBc</b>	-155	-155
<b>3rd Order PIM Test Method</b>	2 x 20 W CW tones	2 x 20 W CW tones

## Block Diagram



## Material Specifications

**Finish** Painted

## Environmental Specifications

<b>Operating Temperature</b>	-40 °C to +65 °C (-40 °F to +149 °F)
<b>Relative Humidity</b>	Up to 100%
<b>Corrosion Test Method</b>	IEC 60068-2-11, 30 days
<b>Ingress Protection Test Method</b>	IEC 60529:2001, IP67

## Packaging and Weights

<b>Mounting Hardware Weight</b>	0.4 kg   0.882 lb
<b>Weight, without mounting hardware</b>	1.9 kg   4.189 lb