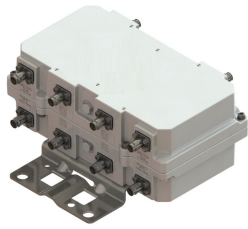


# CBC1923Q-N10 | E11F13P34



## Quad-pack Diplexer PCS/AWS+WCS, DC block, NEX10

- Full performance in a fraction of the size
- High power handling
- Includes AWS-3 and AWS-4 bands
- dc/AISG blocking on all ports (DC grounded)
- Ideal for small cell applications
- Miniature NEX10™ series connector for superior PIM and compact size

**This product will be discontinued on: March 30, 2024**

### Replaced By:

UDX1926Q-N10  
E11F03P81

Ultra Compact Quad-pack Diplexer PCS/AWS+WCS+BRS, DC AWS/WCS/BRS, NEX10 Connector

## Product Classification

**Product Type** Diplexer

## General Specifications

**Color** Gray

**Common Port Label** Common

**Modularity** 4-Quad

**RF Connector Interface** NEX10 Female

**RF Connector Interface Body Style** Long neck

## Dimensions

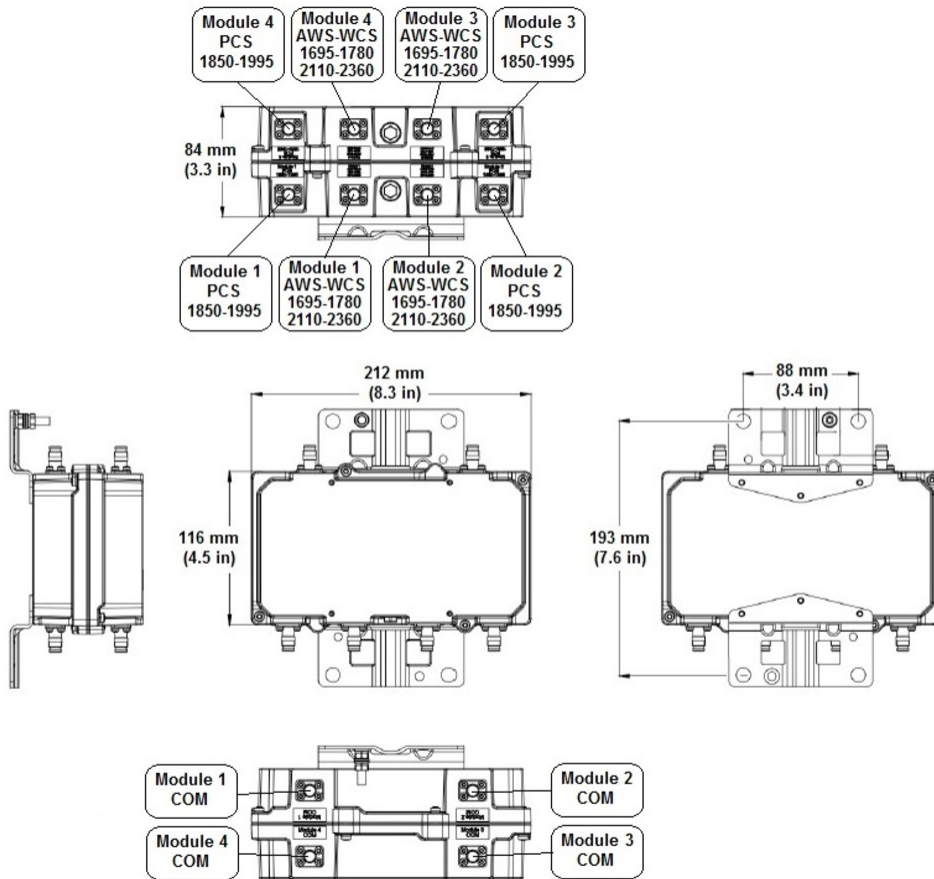
**Height** 116 mm | 4.567 in

**Width** 212 mm | 8.346 in

**Depth** 84 mm | 3.307 in

# CBC1923Q-N10 | E11F13P34

## Outline Drawing



## Electrical Specifications

<b>Impedance</b>	50 ohm
<b>License Band, Band Pass</b>	AWS 1700   PCS 1900   TDD 1900   TDD 2300   TDD 2600   WCS 2300

## Electrical Specifications, dc Power/Alarm

<b>Lightning Surge Current</b>	5 kA
<b>Lightning Surge Current Waveform</b>	8/20 waveform

## Electrical Specifications

<b>Sub-module</b>	1   2	1   2
<b>Branch</b>	1	2
<b>Port Designation</b>	Port 1695-1780/2110-	Port 1850-1995

# CBC1923Q-N10 | E11F13P34

2360

**License Band**

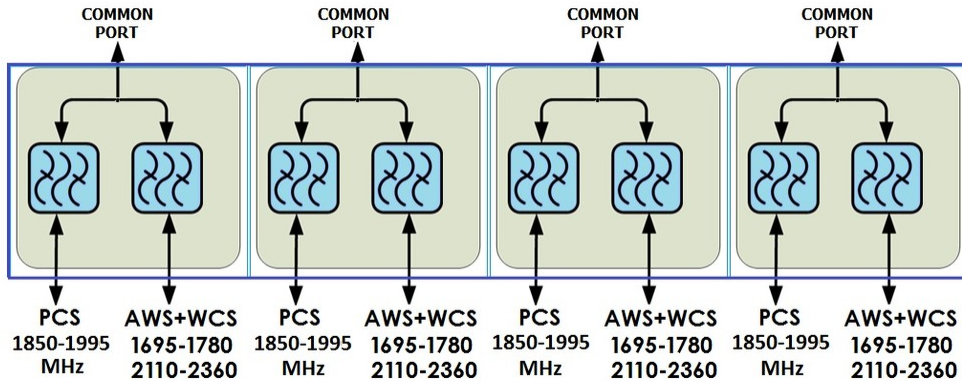
AWS 1700, Band Pass  
WCS 2300, Band Pass  
TDD 2300, Band Pass

PCS 1900, Band Pass

## Electrical Specifications, Band Pass

Frequency Range, MHz	1695-1780 2110-2360	1850-1995
Insertion Loss, typical, dB	0.25	0.25
Total Group Delay, maximum, ns	15	15
Return Loss, typical, dB	23	23
Isolation, typical, dB	40	40
Input Power, RMS, maximum, W	100	100
Input Power, PEP, maximum, W	1500	1500
3rd Order PIM, minimum, dBc	-161	-161
3rd Order PIM Test Method	1 x 20 W AWS CW tone 1 x 20 W PCS CW tone	2 x 20 W CW tones

## Block Diagram



## Material Specifications

**Finish** Painted

## Mechanical Specifications

**Wind Loading @ Velocity, frontal** 12.0 N @ 150 km/h (2.7 lbf @ 150 km/h)

**Wind Loading @ Velocity, lateral** 7.0 N @ 150 km/h (1.6 lbf @ 150 km/h)

## Environmental Specifications

**Operating Temperature** -40 °C to +65 °C (-40 °F to +149 °F)

# CBC1923Q-N10 | E11F13P34

---

<b>Relative Humidity</b>	Up to 100%
<b>Corrosion Test Method</b>	IEC 60068-2-11, 30 days
<b>Ingress Protection Test Method</b>	IEC 60529:2001, IP67

## Packaging and Weights

<b>Mounting Hardware Weight</b>	0.3 kg   0.661 lb
<b>Weight, without mounting hardware</b>	2.7 kg   5.952 lb