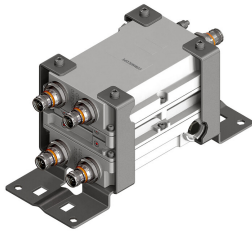


CBC4W26T-DS-43 | E14F05P26



Twin Diplexer, 380–2200 MHz/2300–2690 MHz, DCauto, with 4.3-10 connectors

- Industry leading PIM performance
- New 4.3-10 connectors for improved PIM performance and size reduction
- Designed for network modernization application, introduction of LTE2300 and LTE2600 on existing site
- Twin configuration
- Minimal Insertion Loss
- Ultra-wideband low-band combiner
- Ultra-wideband high-band combiner
- DC/AISG SMART bypass functionality

Product Classification

Product Type Diplexer

General Specifications

Color Gray

Common Port Label ANT

Modularity 2-Twin

Mounting Pole | Wall

Mounting Pipe Hardware Band clamps (2)

RF Connector Interface 4.3-10 Female

RF Connector Interface Body Style Medium neck

Dimensions

Height 183 mm | 7.205 in

Width 121 mm | 4.764 in

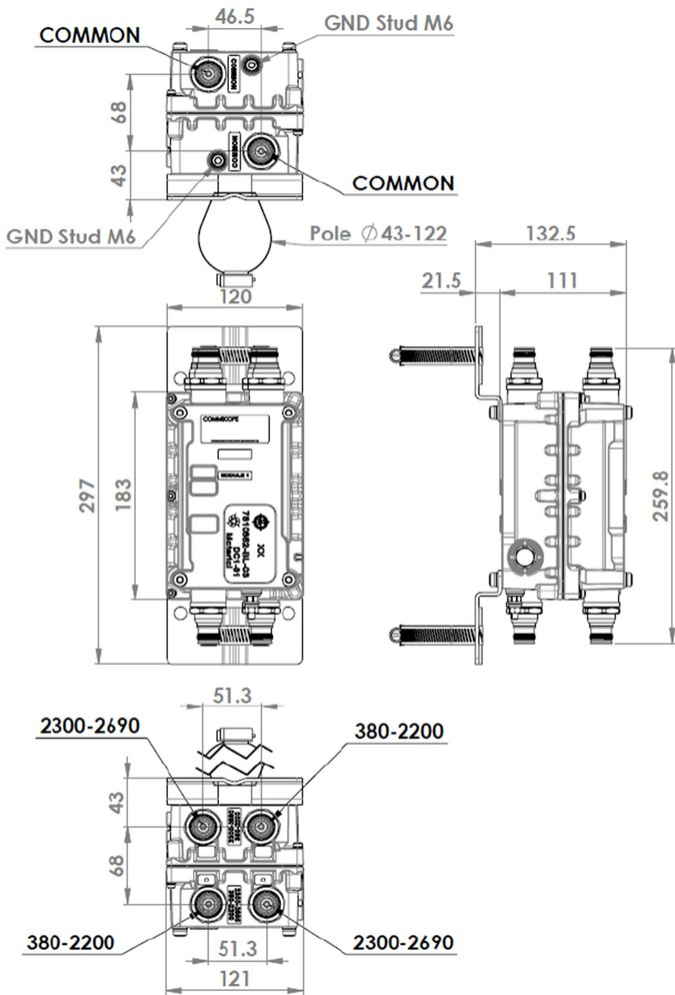
Depth 111 mm | 4.37 in

Ground Screw Diameter 5 mm | 0.197 in

Mounting Pipe Diameter Range 40–160 mm

Outline Drawing

CBC4W26T-DS-43 | E14F05P26



Electrical Specifications

Impedance	50 ohm
License Band, Band Pass	APT 700 AWS 1700 CEL 850 CEL 900 DCS 1800 EDD 800 IMT 2100 IMT 2600 LMR 750 LMR 800 LMR 900 PCS 1900 TDD 2300 TDD 2600 USA 700 USA 750 WCS 2300

Electrical Specifications, dc Power/Alarm

dc/AISG Pass-through Method	Auto sensing
dc/AISG Pass-through Path	Auto sensing circuitry detects dc/AISG signal presence and selects path
dc/AISG Pass-through, combiner	dc Smart Bypass
dc/AISG Pass-through, demultiplexer	dc Smart Bypass
Lightning Surge Current	5 kA
Lightning Surge Current Waveform	8/20 waveform

CBC4W26T-DS-43 | E14F05P26

Electrical Specifications, AISG

AISG Carrier 2176 KHz ± 100 ppm

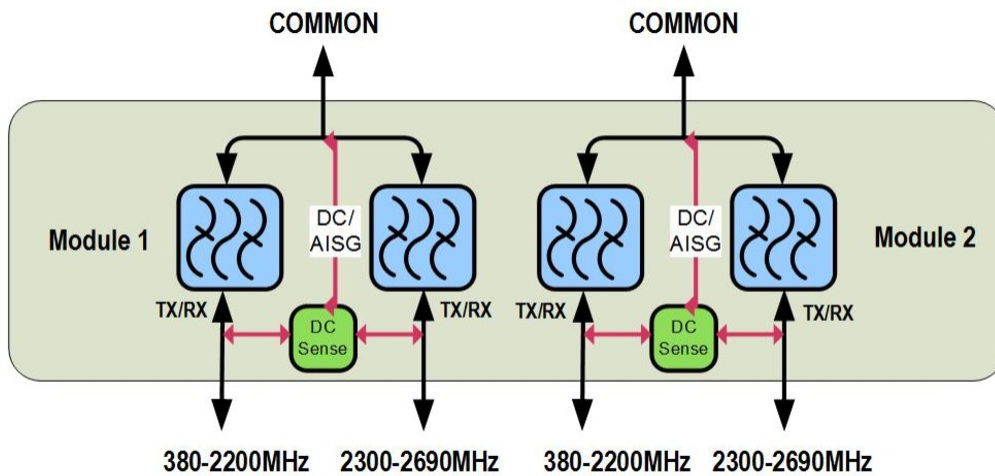
Electrical Specifications

Sub-module	1 2	1 2
Branch	1	2
Port Designation	PORT 1 380-2200	PORT 2 2300-2690
License Band	APT 700, Band Pass CEL 850, Band Pass CEL 900, Band Pass EDD 800, Band Pass LMR 750, Band Pass LMR 800, Band Pass LMR 900, Band Pass USA 700, Band Pass USA 750, Band Pass DCS 1800, Band Pass TDD 1900, Band Pass IMT 2100, Band Pass	TDD 2600, Band Pass IMT 2600, Band Pass WCS 2300, Band Pass TDD 2300, Band Pass

Electrical Specifications, Band Pass

	380–2200	2300–2690
Frequency Range, MHz		
Insertion Loss, typical, dB	0.2	0.2
Total Group Delay, maximum, ns	8	13
Return Loss, typical, dB	20	22
Isolation, minimum, dB	50	50
Input Power, RMS, maximum, W	200	200
Input Power, PEP, maximum, W	2000	2000
3rd Order PIM, typical, dBc	-161	-161
3rd Order PIM Test Method	Two +43 dBm carriers	Two +43 dBm carriers

Block Diagram



Mechanical Specifications

Wind Loading @ Velocity, frontal	33.0 N @ 150 km/h (7.4 lbf @ 150 km/h)
Wind Loading @ Velocity, lateral	28.0 N @ 150 km/h (6.3 lbf @ 150 km/h)

Environmental Specifications

Operating Temperature	-40 °C to +65 °C (-40 °F to +149 °F)
Ingress Protection Test Method	IEC 60529:2001, IP67

Packaging and Weights

Included	Mounting hardware
Volume	2.5 L
Weight, net	4.1 kg 9.039 lb
Weight, without mounting hardware	3.6 kg 7.937 lb

Regulatory Compliance/Certifications

Agency	Classification
CHINA-ROHS	Above maximum concentration value
ISO 9001:2015	Designed, manufactured and/or distributed under this quality management system
ROHS	Compliant/Exempted
UK-ROHS	Compliant/Exempted

