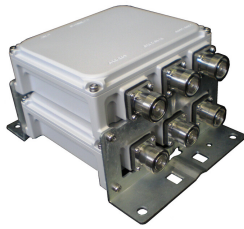


# CBC71726-DL-2X | E11F01P90



2X Triplexer 698-960/1710-2170/2300-2600, dc bypass on port 1

## OBSOLETE

This product was discontinued on: December 31, 2023

### Replaced By:

E12F01P78

Twin Triplexer 698-960//1710-2170//2300-2690 MHz, dc bypass on all port

## Product Classification

**Product Type** Triplexer

## General Specifications

**Product Family** CBC71726

**Color** Gray

**Common Port Label** COMM

**Modularity** 2-Twin

**Mounting** Pole | Wall

**Mounting Pipe Hardware** Band clamps (2)

**RF Connector Interface** 7-16 DIN Female

**RF Connector Interface Body Style** Medium neck

## Dimensions

**Height** 153 mm | 6.024 in

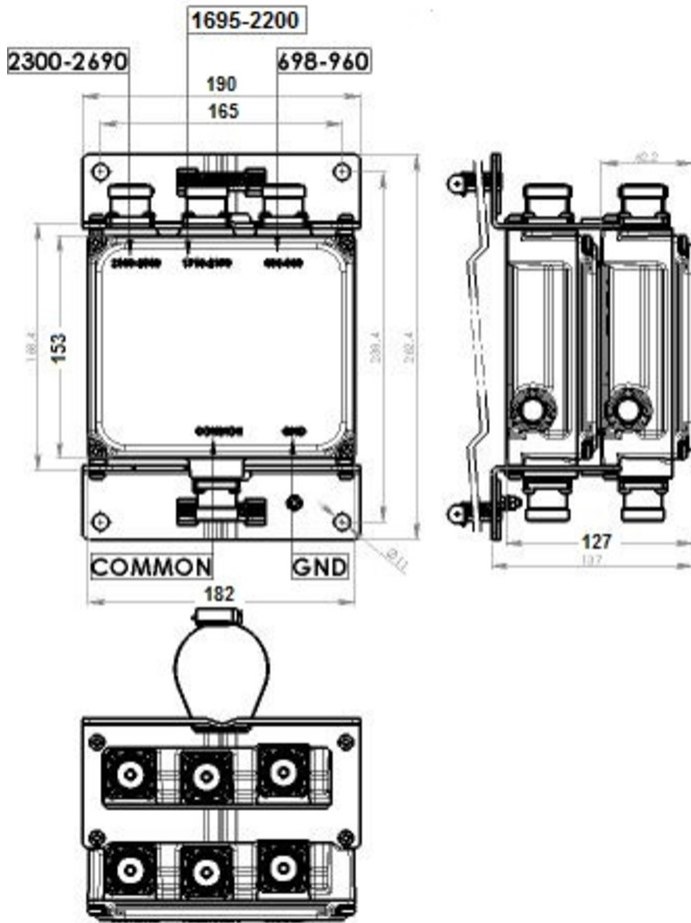
**Width** 127 mm | 5 in

**Depth** 182 mm | 7.165 in

**Mounting Pipe Diameter Range** 42.6–122 mm

# CBC71726-DL-2X | E11F01P90

## Outline Drawing



## Electrical Specifications

<b>Impedance</b>	50 ohm
<b>License Band, Band Pass</b>	APT 700   AWS 1700   CEL 850   CEL 900   DCS 1800   EDD 800   IMT 2100   IMT 2600   LMR 750   LMR 800   LMR 900   PCS 1900   USA 700   USA 750   WCS 2300

## Electrical Specifications, dc Power/Alarm

<b>dc/AISG Pass-through, combiner</b>	Branch 1
<b>dc/AISG Pass-through, demultiplexer</b>	Branch 1
<b>Lightning Surge Current</b>	5 kA
<b>Lightning Surge Current Waveform</b>	8/20 waveform

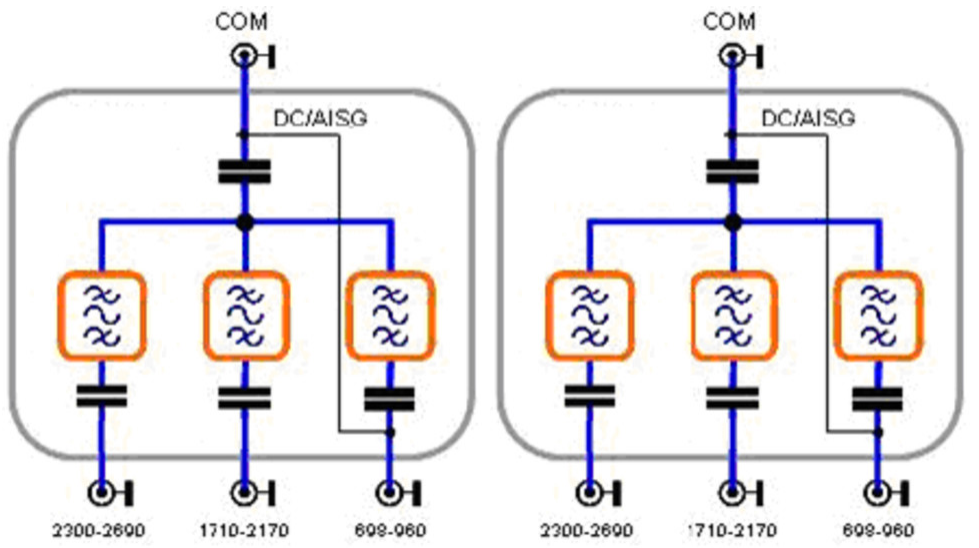
## Electrical Specifications

Sub-module	1   2	1   2	1   2
Branch	1	2	3
Port Designation	698-960	1710-2170	2300-2690
License Band	APT 700, Band Pass CEL 850, Band Pass CEL 900, Band Pass EDD 800, Band Pass LMR 750, Band Pass LMR 800, Band Pass LMR 900, Band Pass USA 700, Band Pass USA 750, Band Pass	AWS 1700, Band Pass DCS 1800, Band Pass IMT 2100, Band Pass PCS 1900, Band Pass	IMT 2600, Band Pass WCS 2300, Band Pass

## Electrical Specifications, Band Pass

Frequency Range, MHz	698-960	1710-2170	2300-2690
Insertion Loss, typical, dB	0.15	0.2	0.25
Return Loss, minimum, dB	18	18	18
Return Loss, typical, dB	20	20	20
Isolation, minimum, dB	50	50	50
3rd Order PIM, typical, dBc	-155	-155	-155
3rd Order PIM Test Method	2 x 20 W CW tones	2 x 20 W CW tones	2 x 20 W CW tones

## Block Diagram



## Environmental Specifications

# CBC71726-DL-2X | E11F01P90

---

<b>Operating Temperature</b>	-40 °C to +60 °C (-40 °F to +140 °F)
<b>Relative Humidity</b>	Up to 100%
<b>Ingress Protection Test Method</b>	IEC 60529:2001, IP67

## Packaging and Weights

<b>Included</b>	Mounting hardware
<b>Volume</b>	3.9 L
<b>Weight, net</b>	6.3 kg   13.889 lb

## Regulatory Compliance/Certifications

<b>Agency</b>	<b>Classification</b>
ISO 9001:2015	Designed, manufactured and/or distributed under this quality management system

