

E12F01P81



2X Triplexer 1710-1880/1920-2170/2300-2690, dc bypass on all ports with 4.3-10 connectors

- Industry leading PIM performance
- Twin configuration
- Designed for network Modernization, introduction of LTE2300 on existing site
- Designed for network Modernization, introduction of LTE2600 on existing site
- New 4.3-10 connectors for improved PIM performance and size reduction
- dc/AISG pass-through on all frequency ports

Product Classification

Product Type Triplexer

General Specifications

Product Family CBC182126

Color Gray

Common Port Label COMM

Modularity 2-Twin

Mounting Pole | Wall

Mounting Pipe Hardware Band clamps (2)

RF Connector Interface 4.3-10 Female

RF Connector Interface Body Style Medium neck

Dimensions

Height 182.5 mm | 7.185 in

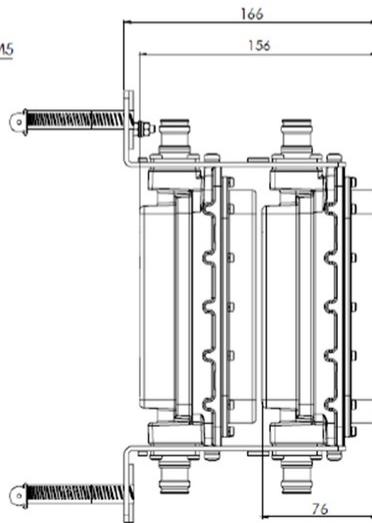
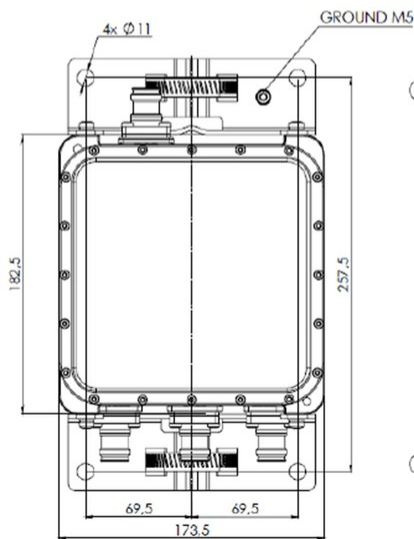
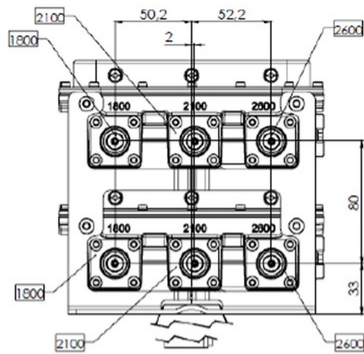
Width 129 mm | 5.079 in

Depth 173.5 mm | 6.831 in

Mounting Pipe Diameter Range 42.6–122 mm

Outline Drawing

E12F01P81



Electrical Specifications

| | |
|--------------------------------|---|
| Impedance | 50 ohm |
| License Band, Band Pass | DCS 1800 IMT 2100 IMT 2600 TDD 2300 TDD 2600 WCS 2300 |

Electrical Specifications, dc Power/Alarm

| | |
|--|--------------------------------|
| dc/AISG Pass-through, combiner | Branch 1 Branch 2 Branch 3 |
| dc/AISG Pass-through, demultiplexer | Branch 1 Branch 2 Branch 3 |
| Lightning Surge Current | 5 kA |
| Lightning Surge Current Waveform | 8/20 waveform |

Electrical Specifications

| | | | |
|-------------------|-------|-------|-------|
| Sub-module | 1 2 | 1 2 | 1 2 |
|-------------------|-------|-------|-------|

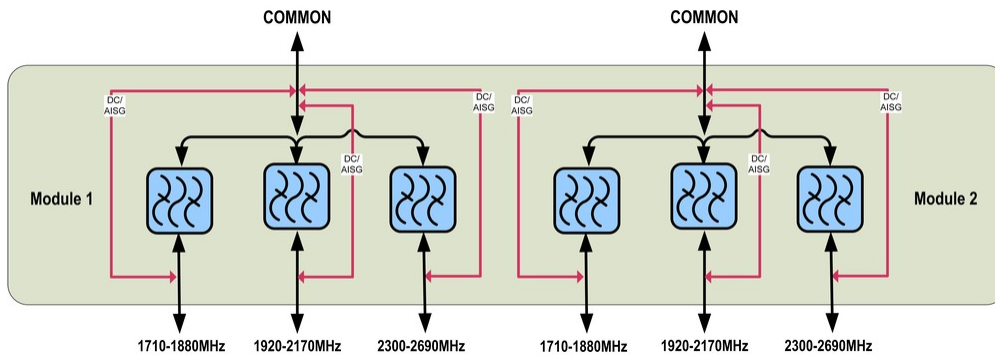
E12F01P81

| | | | |
|-------------------------|---------------------|---------------------|--|
| Branch | 1 | 2 | 3 |
| Port Designation | 1800 | 2100 | 2300-2600 |
| License Band | DCS 1800, Band Pass | IMT 2100, Band Pass | TDD 2300, Band Pass WCS 2300, Band Pass IMT 2600, Band Pass TDD 2600, Band Pass |

Electrical Specifications, Band Pass

| Frequency Range, MHz | 1710–1880 | 1920–2170 | 2300–2690 |
|-------------------------------------|----------------------|----------------------|----------------------|
| Insertion Loss, typical, dB | 0.25 | 0.25 | 0.2 |
| Return Loss, minimum, dB | 18 | 18 | 18 |
| Return Loss, typical, dB | 20 | 20 | 20 |
| Isolation, minimum, dB | 50 | 50 | 50 |
| Input Power, RMS, maximum, W | 300 | 300 | 300 |
| 3rd Order PIM, typical, dBc | -160 | -160 | -160 |
| 3rd Order PIM Test Method | Two +43 dBm carriers | Two +43 dBm carriers | Two +43 dBm carriers |

Block Diagram



Environmental Specifications

| | |
|---------------------------------------|--------------------------------------|
| Operating Temperature | -40 °C to +60 °C (-40 °F to +140 °F) |
| Relative Humidity | Up to 100% |
| Corrosion Test Method | IEC 60068-2-11, 30 days |
| Ingress Protection Test Method | IEC 60529:2001, IP67 |

Packaging and Weights

| | |
|--------------------|--------------------|
| Included | Mounting hardware |
| Volume | 3.9 L |
| Weight, net | 6.2 kg 13.669 lb |

Regulatory Compliance/Certifications

Agency

ISO 9001:2015

Classification

Designed, manufactured and/or distributed under this quality management system