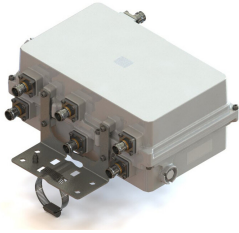


E12F03P18



CS-TPX 700/825-880/898.4-960 DC ALL, RJ30

- New 4.3-10 connectors for improved PIM performance and size reduction
- Additional Rejection in 880-890 MHz band 30 dB
- Twin configuration
- dc/AISG pass-through on all frequency ports

This product will be discontinued on: December 30, 2024

Product Classification

Product Type Triplexer

General Specifications

Product Family CBC1821

Color Gray

Common Port Label PORT 3 COMMON

Modularity 2-Twin

Mounting Pole | Wall

Mounting Pipe Hardware Band clamps (2)

RF Connector Interface 4.3-10 Female

RF Connector Interface Body Style Long neck

Dimensions

Height 337 mm | 13.268 in

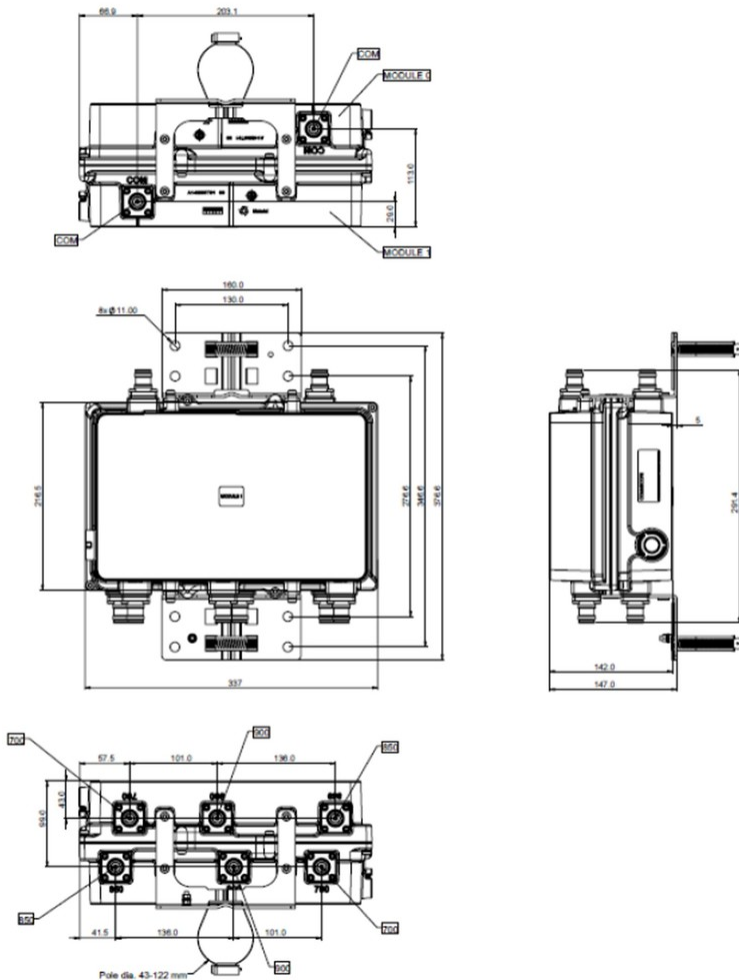
Width 216.5 mm | 8.524 in

Depth 142 mm | 5.591 in

Mounting Pipe Diameter Range 42.6–122 mm

Outline Drawing

E12F03P18



Electrical Specifications

| | |
|--------------------------------|---|
| Impedance | 50 ohm |
| License Band, Band Pass | APT 700 CEL 850 CEL 900 DCS 1800 IMT 2100 USA 700 |

Electrical Specifications, dc Power/Alarm

| | |
|--|--------------------------------|
| dc/AISG Pass-through Method | Factory set |
| dc/AISG Pass-through Path | Branch 1 Branch 2 Branch 3 |
| dc/AISG Pass-through, combiner | Branch 1 Branch 2 Branch 3 |
| dc/AISG Pass-through, demultiplexer | Branch 1 Branch 2 Branch 3 |
| Lightning Surge Current | 5 kA |
| Lightning Surge Current Waveform | 8/20 waveform |

E12F03P18

Electrical Specifications

| | | | |
|-------------------------|--------------------|--------------------|--|
| Sub-module | 1 2 | 1 2 | 1 2 |
| Branch | 1 | 2 | 3 |
| Port Designation | PORT 1 850 | PORT 2 900 | PORT 3 700 |
| License Band | CEL 850, Band Pass | CEL 900, Band Pass | APT 700, Band Pass USA 700, Band Pass |

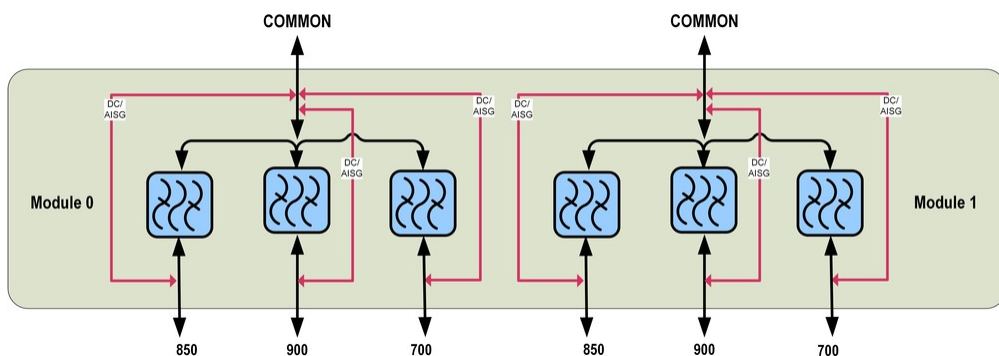
Electrical Specifications, Band Pass

| | | | |
|-------------------------------------|----------------------|----------------------|----------------------|
| Frequency Range, MHz | 825–880 | 898.4–960 | 703–803 |
| Insertion Loss, typical, dB | 0.35 | 0.3 | 0.3 |
| Return Loss, typical, dB | 20 | 20 | 20 |
| Isolation, minimum, dB | 50 | 50 | 50 |
| Input Power, RMS, maximum, W | 160 | 160 | 160 |
| Input Power, PEP, maximum, W | 2500 | 2500 | 2500 |
| 3rd Order PIM, typical, dBc | -153 | -153 | -153 |
| 3rd Order PIM Test Method | Two +43 dBm carriers | Two +43 dBm carriers | Two +43 dBm carriers |

Electrical Specifications, Band Reject

| | |
|---------------------------------|----------------|
| Frequency Range, MHz | 880–890 |
| Attenuation, minimum, dB | 30 |

Block Diagram



Environmental Specifications

| | |
|---------------------------------------|--------------------------------------|
| Operating Temperature | -40 °C to +60 °C (-40 °F to +140 °F) |
| Corrosion Test Method | IEC 60068-2-11, 30 days |
| Ingress Protection Test Method | IEC 60529:2001, IP67 |

E12F03P18

Packaging and Weights

| | |
|--------------------|-------------------|
| Included | Mounting hardware |
| Volume | 10.5 L |
| Weight, net | 12 kg 26.455 lb |

Regulatory Compliance/Certifications

| Agency | Classification |
|---------------|--|
| ISO 9001:2015 | Designed, manufactured and/or distributed under this quality management system |