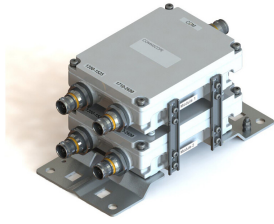


E14F05P63



Twin 2-pak Diplexer, 1350–1525 MHz/1710–2690 MHz, DC bypass High ports, with 4.3-10 connectors

- Industry leading PIM performance
- New 4.3-10 connectors for improved PIM performance and size reduction
- dc/AISG pass-through on high frequency ports
- Designed for network modernization application, introduction of LTE1400 on existing site

Product Classification

Product Type Diplexer

General Specifications

Product Family CBC426

Color Gray

Common Port Label ANT

Modularity 2-Twin

Mounting Pole | Wall

Mounting Pipe Hardware Band clamps (2)

RF Connector Interface 4.3-10 Female

RF Connector Interface Body Style Long neck

Dimensions

Height 165 mm | 6.496 in

Width 120 mm | 4.724 in

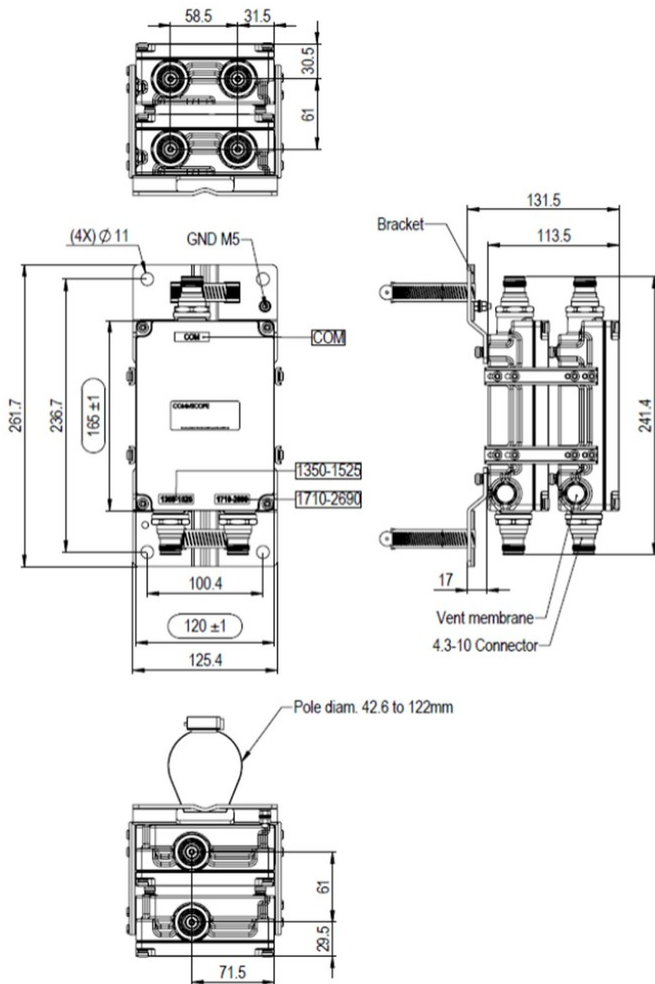
Depth 113.5 mm | 4.469 in

Ground Screw Diameter 5 mm | 0.197 in

Mounting Pipe Diameter Range 40–160 mm

Outline Drawing

E14F05P63



Electrical Specifications

Impedance	50 ohm
License Band, Band Pass	APT 700 AWS 1700 CEL 850 CEL 900 DCS 1800 EDD 800 IMT 2100 IMT 2600 LMR 750 LMR 800 LMR 900 PCS 1900 PDC 1500 SDL 1400 TDD 2300 TDD 2600 USA 700 USA 750 WCS 2300

Electrical Specifications, dc Power/Alarm

dc/AISG Pass-through Method	Factory set
dc/AISG Pass-through Path	Branch 2
dc/AISG Pass-through, combiner	Branch 2
dc/AISG Pass-through, demultiplexer	Branch 2
Lightning Surge Current	10 kA

E14F05P63

Lightning Surge Current Waveform 8/20 waveform

Electrical Specifications, AISG

AISG Carrier 2176 KHz \pm 100 ppm
Insertion Loss, maximum 1.4 dB
Return Loss, minimum 10 dB

Electrical Specifications

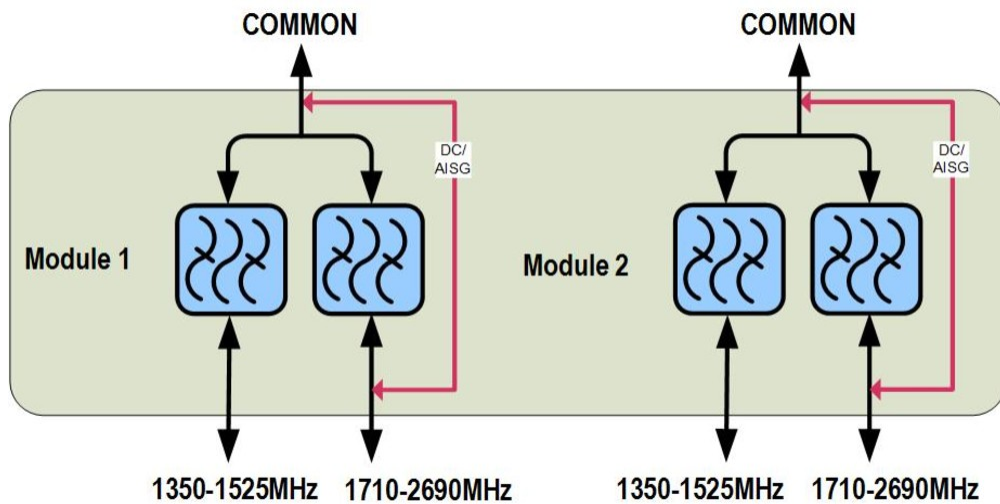
Sub-module	1 2	1 2
Branch	1	2
Port Designation	PORT 1 1350-1525	PORT 2 1710-2690
License Band	PDC 1500, Band Pass SDL 1400, Band Pass	AWS 1700, Band Pass DCS 1800, Band Pass IMT 2100, Band Pass IMT 2600, Band Pass PCS 1900, Band Pass TDD 2300, Band Pass TDD 2600, Band Pass WCS 2300, Band Pass

Electrical Specifications, Band Pass

	1350–1525	1710–2690
Frequency Range, MHz		
Insertion Loss, typical, dB	0.2	0.25
Total Group Delay, typical, ns	8	8
Return Loss, minimum, dB	18	18
Return Loss, typical, dB	20	20
Isolation, minimum, dB	50	50
Input Power, RMS, maximum, W	200	200
Input Power, PEP, maximum, W	2000	2000
3rd Order PIM, typical, dBc	-163	-163
3rd Order PIM Test Method	Two +43 dBm carriers	Two +43 dBm carriers

Block Diagram

E14F05P63



Environmental Specifications

Operating Temperature	-40 °C to +65 °C (-40 °F to +149 °F)
Relative Humidity	5%–100%
Corrosion Test Method	IEC 60068-2-11, 30 days
Ingress Protection Test Method	IEC 60529:2001, IP67

Packaging and Weights

Included	Mounting hardware
Volume	2.5 L
Weight, net	4.3 kg 9.48 lb

Regulatory Compliance/Certifications

Agency	Classification
ISO 9001:2015	Designed, manufactured and/or distributed under this quality management system