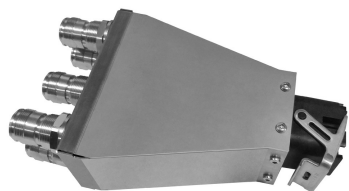


# TA-MLOC5HF

---



M-LOC Male Multiport Cluster 5 ports to 4.3-10 Female RL Test Adapter

## Product Classification

<b>Product Type</b>	Adapter
<b>Product Brand</b>	HELIAX®
<b>Product Series</b>	M-LOC

## General Specifications

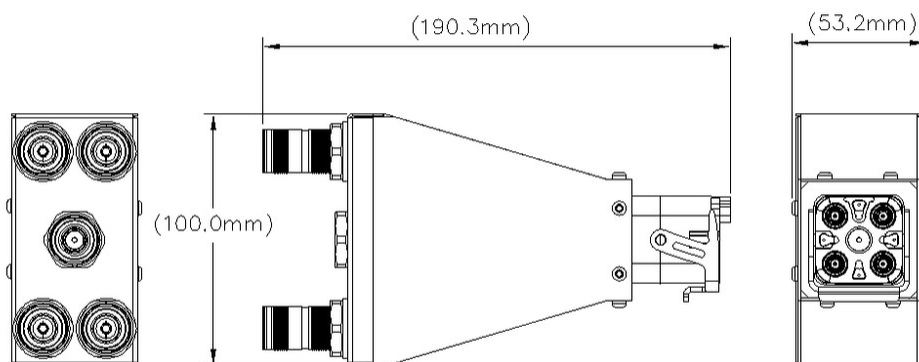
<b>Body Style</b>	Straight
<b>Inner Contact Plating</b>	Silver
<b>Interface</b>	M-LOC Male
<b>Interface 2</b>	4.3-10 Female
<b>Mounting Angle</b>	Straight
<b>Outer Contact Plating</b>	Trimetal

## Dimensions

<b>Height</b>	53.2 mm   2.094 in
<b>Width</b>	100 mm   3.937 in
<b>Length</b>	190.3 mm   7.492 in

## Outline Drawing

# TA-MLOC5HF



## Electrical Specifications

<b>3rd Order IMD at Frequency</b>	-119 dBm @ 1800 MHz
<b>3rd Order IMD Test Method</b>	Two +43 dBm carriers
<b>Connector Impedance</b>	50 ohm
<b>Inner Contact Resistance, maximum</b>	1 mOhm
<b>Insulation Resistance, minimum</b>	5000 MOhm
<b>Operating Frequency Band</b>	0 – 6000 MHz
<b>Outer Contact Resistance, maximum</b>	1 mOhm

## VSWR/Return Loss

<b>Frequency Band</b>	<b>VSWR</b>	<b>Return Loss (dB)</b>
<b>0–3.8 GHz</b>	1.106	25.96

## Mechanical Specifications

<b>Interface Durability</b>	25 cycles
<b>Mechanical Shock Test Method</b>	IEC 60068-2-27

# TA-MLOC5HF

---

## Environmental Specifications

<b>Operating Temperature</b>	-55 °C to +85 °C (-67 °F to +185 °F)
<b>Storage Temperature</b>	-55 °C to +85 °C (-67 °F to +185 °F)
<b>Attenuation, Ambient Temperature</b>	20 °C   68 °F
<b>Average Power, Ambient Temperature</b>	40 °C   104 °F
<b>Average Power, Inner Conductor Temperature</b>	100 °C   212 °F
<b>Climatic Sequence Test Method</b>	IEC 60068-1
<b>Damp Heat Steady State Test Method</b>	IEC 60068-2-3
<b>Thermal Shock Test Method</b>	IEC 60068-2-14
<b>Vibration Test Method</b>	IEC 60068-2-6

## Packaging and Weights

<b>Weight, net</b>	810.85 g   1.788 lb
--------------------	---------------------

## Regulatory Compliance/Certifications

<b>Agency</b>	<b>Classification</b>
CHINA-ROHS	Above maximum concentration value
ROHS	Compliant/Exempted

