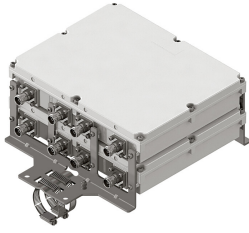


# E14F15P08



Twin Quadplexer 700-800//900//1800//2100-2600 MHz, with 4.3-10 connectors, dc bypass on port 4

- Industry leading PIM performance
- Designed for network modernization application, introduction of LTE700 and LTE800 on existing site
- New 4.3-10 connectors for improved PIM performance and size reduction
- Suitable for feeders cables reduction

This product will be discontinued on: December 30, 2024

Replaced By:

E14F15P10

Twin Quadplexer 700-800//900//1800//2100-2600 MHz,4.3-10 connectors,dc bypass on all ports

## Product Classification

**Product Type** Quadplexer

## General Specifications

**Color** Gray

**Modularity** 2-Twin

**Mounting** Pole | Wall

**Mounting Pipe Hardware** Band clamps (2)

**RF Connector Interface** 4.3-10 Female

**RF Connector Interface Body Style** Medium neck

## Dimensions

**Height** 263 mm | 10.354 in

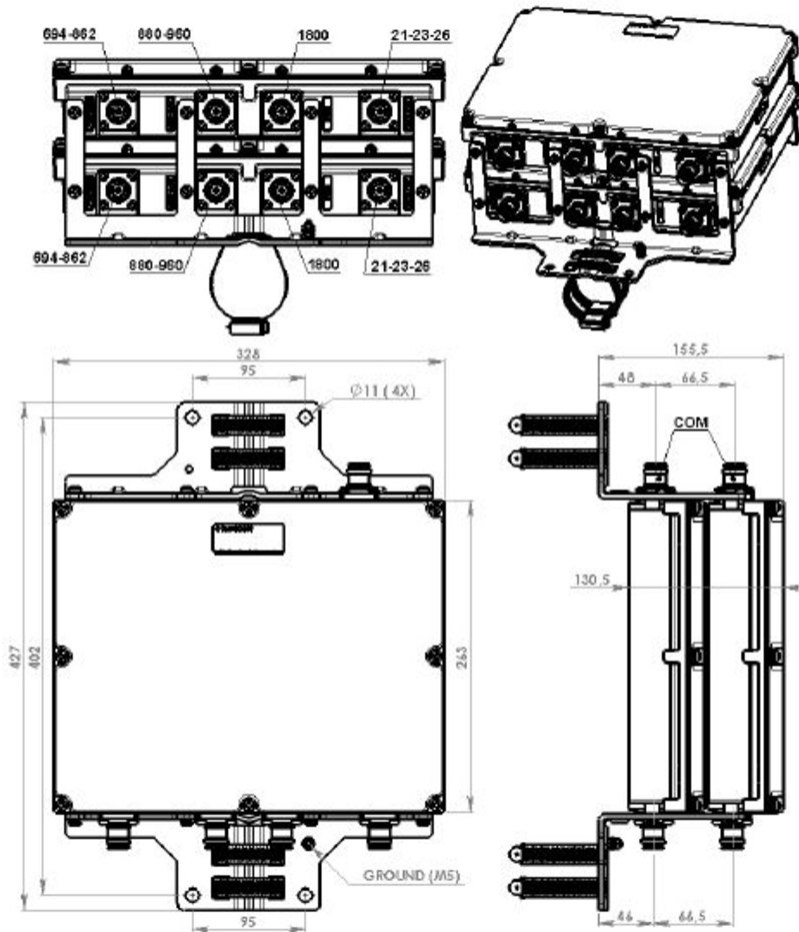
**Width** 328 mm | 12.913 in

**Depth** 130.5 mm | 5.138 in

**Mounting Pipe Diameter Range** 42.6–122 mm

## Outline Drawing

# E14F15P08



## Electrical Specifications

<b>Impedance</b>	50 ohm
<b>License Band, Band Pass</b>	APT 700   CEL 850   CEL 900   DCS 1800   EDD 800   IMT 2100   IMT 2600   LMR 800   LMR 900   TDD 2300
<b>License Band, LNA</b>	DCS 1800

## Electrical Specifications, dc Power/Alarm

<b>dc/AISG Pass-through, combiner</b>	Branch 4
<b>dc/AISG Pass-through, demultiplexer</b>	Branch 4
<b>Lightning Surge Current</b>	5 kA
<b>Lightning Surge Current Waveform</b>	8/20 waveform

## Electrical Specifications, AISG

# E14F15P08

<b>AISG Carrier</b>	2176 KHz ± 100 ppm
<b>Insertion Loss, maximum</b>	1 dB
<b>Return Loss, minimum</b>	10 dB

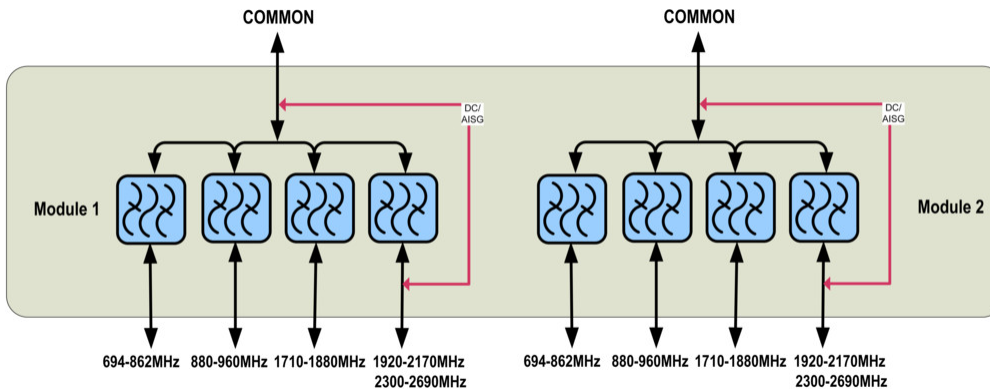
## Electrical Specifications

<b>Sub-module</b>	<b>1   2</b>	<b>1   2</b>	<b>1   2</b>	<b>1   2</b>
<b>Branch</b>	1	2	3	4
<b>Port Designation</b>	PORT 1 694-862	PORT 2 880-960	PORT 3 1710-1880	PORT 4 1920-2170 2300-2690
<b>License Band</b>	APT 700, Band Pass CEL 850, Band Pass EDD 800, Band Pass LMR 800, Band Pass	CEL 900, Band Pass LMR 900, Band Pass	DCS 1800, LNA	IMT 2600, Band Pass IMT 2100, Band Pass TDD 2300, Band Pass

## Electrical Specifications, Band Pass

<b>Frequency Range, MHz</b>	<b>694–862</b>	<b>880–960</b>	<b>1710–1880</b>	<b>1920–2170 2300–2690</b>
<b>Insertion Loss, typical, dB</b>	0.3	0.3	0.25	0.25
<b>Return Loss, typical, dB</b>	22	22	22	22
<b>Isolation, minimum, dB</b>	50	50	50	50
<b>Input Power, RMS, maximum, W</b>	300	300	300	300
<b>3rd Order PIM, maximum, dBc</b>	-160	-160	-160	-160
<b>3rd Order PIM Test Method</b>	Two +43 dBm carriers	Two +43 dBm carriers	Two +43 dBm carriers	Two +43 dBm carriers

## Block Diagram



## Mechanical Specifications

<b>Wind Speed, maximum</b>	216 km/h (134 mph)
----------------------------	--------------------

# E14F15P08

---

## Environmental Specifications

<b>Operating Temperature</b>	-40 °C to +65 °C (-40 °F to +149 °F)
<b>Relative Humidity</b>	15%–100%
<b>Corrosion Test Method</b>	IEC 60068-2-11, 30 days
<b>Ingress Protection Test Method</b>	IEC 60529:2001, IP67
<b>Vibration Test Method</b>	IEC 60068-2-6

## Packaging and Weights

<b>Included</b>	Mounting hardware
<b>Weight, net</b>	10.4 kg   22.928 lb