

E15R02P15



Tower Mounted Amplifier, Dual GSM SB 900 MHz with AISG

This product will be discontinued on: December 30, 2024

Replaced By:

E16R01P97

Tower Mounted Amplifier, Dual GSM/UMTS 900 with AISG

Product Classification

Product Type 1-BTS:1-ANT (Uniplex) | Tower mounted amplifier

General Specifications

Color Gray

Modularity 2-Twin

Mounting Pole | Wall

Mounting Pipe Hardware Band clamps (2)

RF Connector Interface 7-16 DIN Female

RF Connector Interface Body Style Long neck

Dimensions

Height 260 mm | 10.236 in

Width 170 mm | 6.693 in

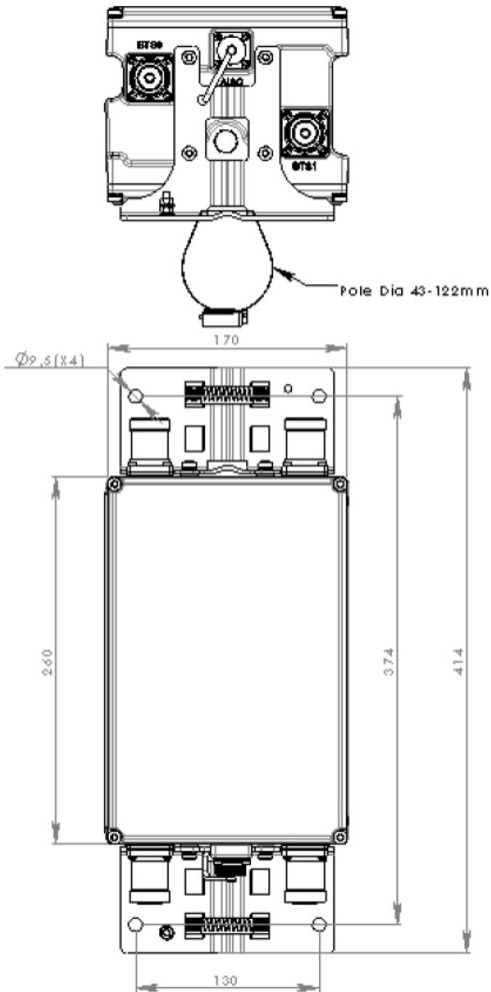
Depth 140 mm | 5.512 in

Ground Screw Diameter 6 mm | 0.236 in

Mounting Pipe Diameter Range 40–160 mm

E15R02P15

Outline Drawing



Electrical Specifications

License Band, LNA CEL 900

Electrical Specifications, dc Power/Alarm

dc Switching/Redundancy	Yes
Lightning Surge Current	5 kA
Lightning Surge Current Waveform	8/20 waveform
Operating Current at Voltage	100 mA @ 12 Vdc
Operating Current Tolerance	± 20 mA
Voltage	7-30 Vdc

E15R02P15

Alarm Current, CWA Mode 185 mA ±15 mA

Electrical Specifications, AISG

AISG Connector 8-pin DIN Female
AISG Connector Standard IEC 60130-9
Protocol AISG 2.0
Voltage, AISG Mode 10–30 Vdc

Electrical Specifications

Sub-module 1 | 2
Branch 1
Port Designation ANT
License Band CEL 900, LNA
Return Loss - Bypass Mode, typical, dB 18
TX Band Rejection, minimum, dB 80

Electrical Specifications Rx (Uplink)

Frequency Range, MHz 898–915
Bandwidth, MHz 17
Gain, nominal, dB 13
Gain Tolerance, dB ±1
Noise Figure, maximum, dB 1.8
Noise Figure, typical, dB 1.5
Output IP3, minimum, dBm 23
Return Loss, minimum, dB 18
Insertion Loss - Bypass Mode, typical, dB 2.8

Electrical Specifications Tx (Downlink)

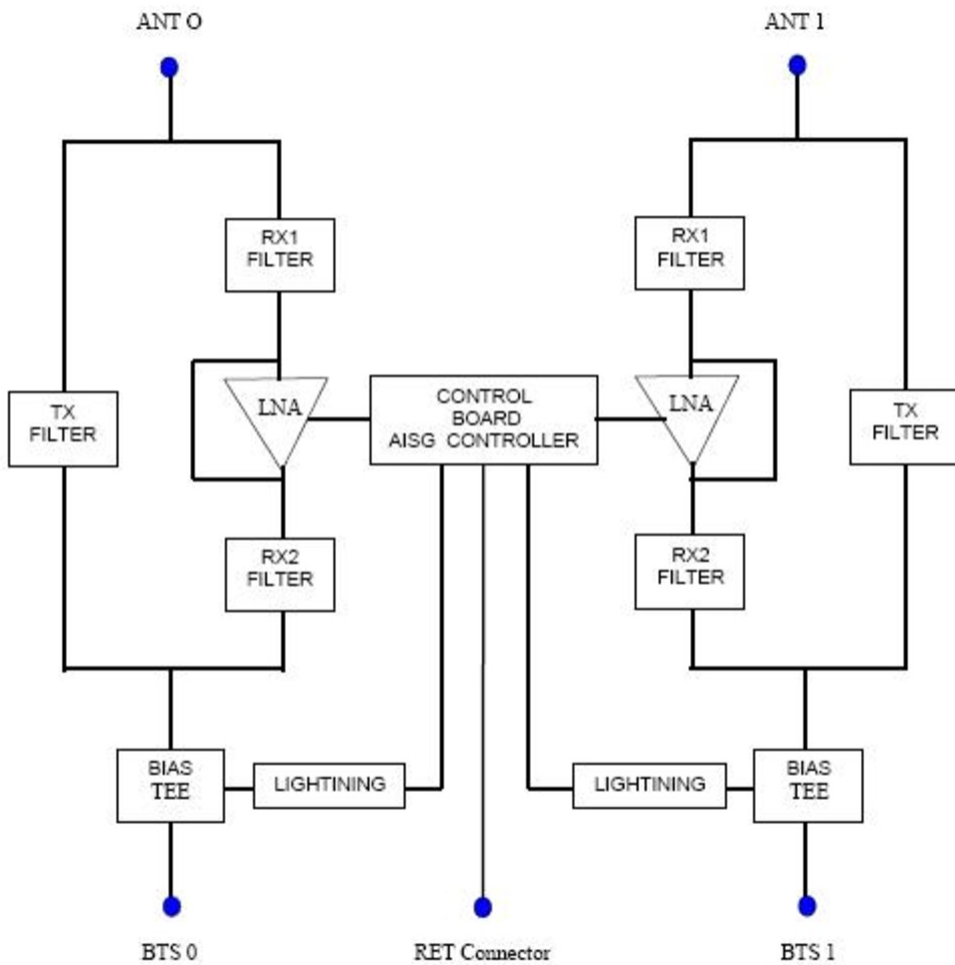
Frequency Range, MHz 943–960
Bandwidth, MHz 17
Insertion Loss, maximum, dB 0.6
Return Loss, minimum, dB 18
RX Band Rejection, minimum, dB 70

E15R02P15

Input Power, RMS, maximum, W	200
Input Power, PEP, maximum, W	5000
3rd Order PIM, maximum, dBc	-155
3rd Order PIM Test Method	Two +43 dBm carriers
5th Order PIM, maximum, dBc	-163
5th Order PIM Test Method	Two +43 dBm carriers

E15R02P15

Block Diagram



Material Specifications

Finish Painted

Environmental Specifications

Operating Temperature -40 °C to +65 °C (-40 °F to +149 °F)

Relative Humidity Up to 100%

Corrosion Test Method IEC 60068-2-11, 30 days

Ingress Protection Test Method IEC 60529:2001, IP67

Packaging and Weights

E15R02P15

Included Mounting hardware

Weight, net 8 kg | 17.637 lb

Regulatory Compliance/Certifications

Agency

ISO 9001:2015

Classification

Designed, manufactured and/or distributed under this quality management system

* Footnotes

License Band, LNA

License Bands that have RxUplink amplification