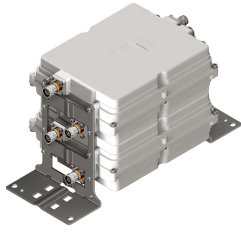


E16S02P98



Quad Dual Band Tower Mounted Amplifier, 1800//2100 MHz, 12 dB, 4 BTS & 4 ANT ports, AISG with 1 RET connector per TMA (2 device with 2 sub-units each) with 4.3-10 connectors

- Industry leading PIM performance
- New 4.3-10 connectors for improved PIM performance and size reduction
- TMA is operating in AISG & CWA mode, Alarm Current consumption CWA mode 250 mA
- Designed to boost UP-Link Coverage and KPIs
- Quad configuration, 4x4 MIMO ready
- 4 input ports and 4 output ports

Product Classification

Product Type 1-BTS:1-ANT (Uniplex) | Tower mounted amplifier

General Specifications

Color Gray

Modularity 2-Twin

Mounting Pole | Wall

Mounting Pipe Hardware Band clamps (2)

RF Connector Interface 4.3-10 Female

Dimensions

Height 212 mm | 8.346 in

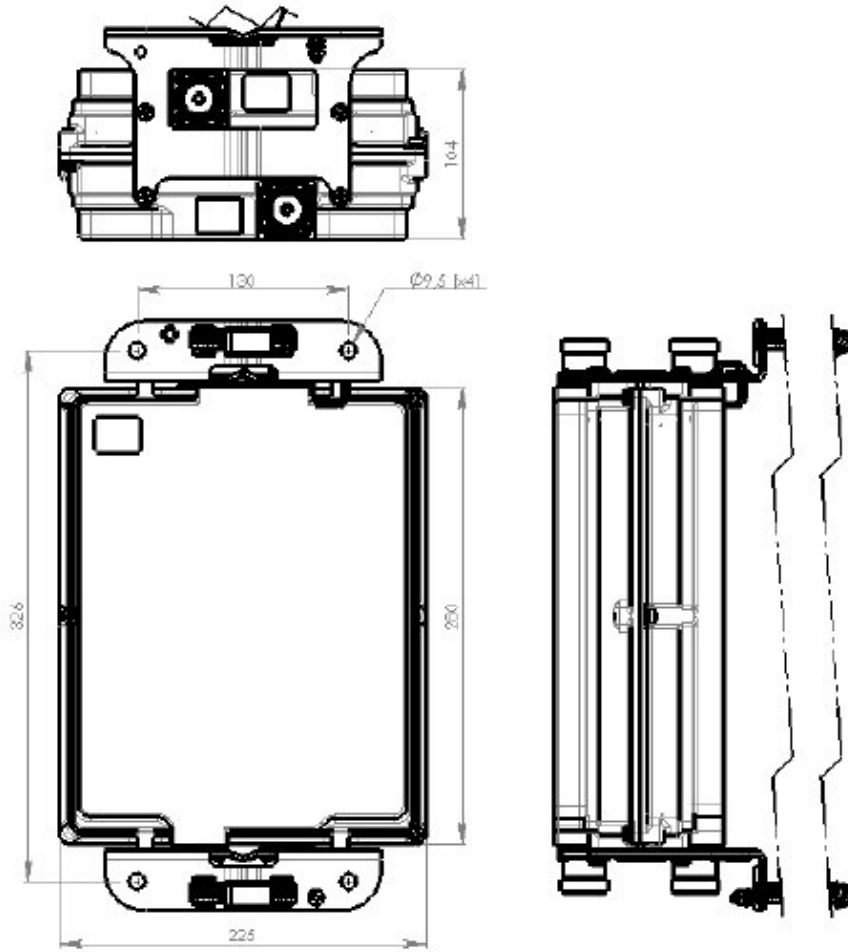
Width 225 mm | 8.858 in

Depth 280 mm | 11.024 in

Mounting Pipe Diameter Range 50–120 mm

E16S02P98

Outline Drawing



Electrical Specifications

License Band, LNA DCS 1800 | IMT 2100

Electrical Specifications, dc Power/Alarm

dc Switching/Redundancy	Yes
Lightning Surge Current	10 kA
Lightning Surge Current Waveform	8/20 waveform
Voltage	7–30 Vdc
Alarm Current, CWA Mode	250 mA \pm 15 mA

Electrical Specifications, AISG

E16S02P98

AISG Connector	8-pin DIN Female
AISG Connector Standard	IEC 60130-9
Protocol	AISG 2.0
Voltage, AISG Mode	10–30 Vdc

Electrical Specifications

Sub-module	1 2	1 2
Branch	1	1
Port Designation	ANT	ANT
License Band	DCS 1800, LNA	IMT 2100, LNA
Return Loss - Bypass Mode, typical, dB	15	15

Electrical Specifications Rx (Uplink)

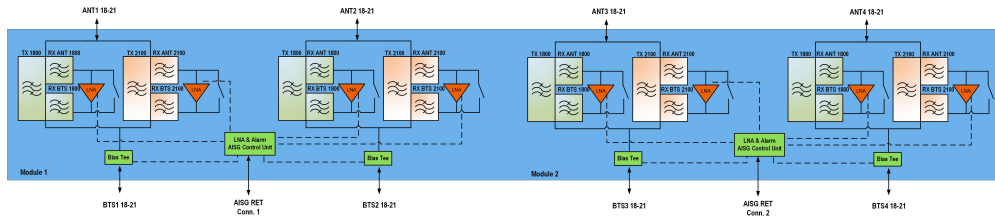
Frequency Range, MHz	1710–1785	1920–1980
Bandwidth, MHz	75	60
Gain, nominal, dB	12	12
Noise Figure, typical, dB	1.5	1.5
Group Delay Variation, maximum, ns	30	16
Group Delay Variation Bandwidth, MHz	5	5
Total Group Delay, maximum, ns	100	80
Return Loss, minimum, dB	18	18
Insertion Loss - Bypass Mode, typical, dB	2	2

Electrical Specifications Tx (Downlink)

Frequency Range, MHz	1805–1880	2110–2170
Bandwidth, MHz	75	60
Insertion Loss, typical, dB	0.4	0.4
Group Delay Variation, maximum, ns	10	4
Group Delay Variation Bandwidth, MHz	5	5
Total Group Delay, maximum, ns	45	25
Return Loss, minimum, dB	18	18
Input Power, RMS, maximum, W	200	200
Input Power, PEP, maximum, W	2000	2000
3rd Order PIM, typical, dBc	-160	-160
3rd Order PIM Test Method	Two +43 dBm carriers	Two +43 dBm carriers

E16S02P98

Block Diagram



Environmental Specifications

Operating Temperature -40 °C to +65 °C (-40 °F to +149 °F)

Relative Humidity Up to 100%

Corrosion Test Method IEC 60068-2-11, 30 days

Ingress Protection Test Method IEC 60529:2001, IP67

Packaging and Weights

Included Mounting hardware

Volume 13.4 L

Weight, net 15 kg | 33.069 lb

Regulatory Compliance/Certifications

Agency

ISO 9001:2015



Classification

Designed, manufactured and/or distributed under this quality management system

* Footnotes

License Band, LNA License Bands that have RxUplink amplification