

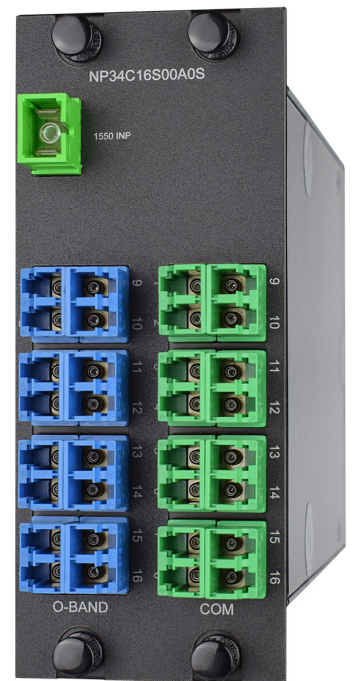
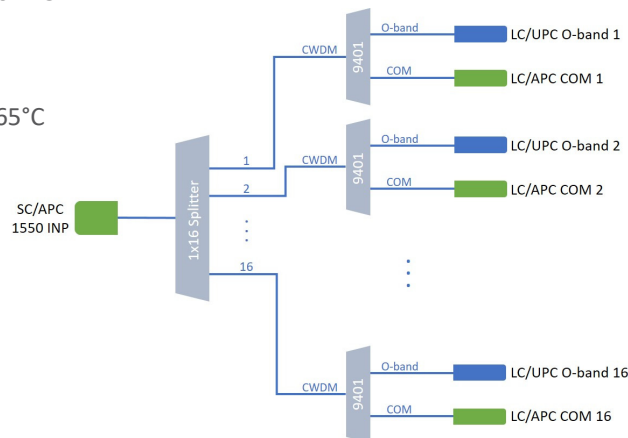
Optical Passives (ISP)

NP34C16

CWDM/1310 Optical Filter

FEATURES

- Integrated filters to split, combine, or separate wavelength bands
- Combine or split 1310 nm (O-band) and CWDM-band (1550 nm) channels
- Wide 1263.5–1357.5 nm and 1423.5–1617.5 nm passbands
- Low insertion loss; High isolation
- Operating temperature range -20° to +65°C
- LGX-compatible
- Dual-width, half-depth module
- Compatible with NP94C01



PRODUCT OVERVIEW

The ARRIS NP34C16 integrated combiner/separator filter contains a 1x16 splitter, each output feeds into the input port of a 1310/CWDM combiner/separator that combines/separates the 1260–1360 nm O-band with/from the 1430–1610 nm CWDM-band. There is an SC/APC connector on the 1550 INP splitter input, LC/APC connectors on the COM ports, and LC/UPC connectors on the 1310 nm O-band ports.

This filter is packaged in an LGX-compatible module and can be mounted in the ARRIS CH3000 chassis, occupying two half-depth slots. It is designed to be used in controlled indoor environments within a temperature range of -20 to +65°C.

SPECIFICATIONS

Characteristics	Specification	
Physical		
Dimensions (W x D x H)	52 x 163 x 130 mm (approximately)	
Weight	1.6 lbs. (0.72 kg)	
Environmental		
Operating Temperature Range (Indoor)	-20° to +65°C (-4° to +149°F)	
Storage Temperature Range	-40° to +85°C (-40° to +185°F)	
Humidity	5% to 95% non-condensing	
Optical Interface		
Optical Connectors	SL = SC/APC (1550 INP); LC/APC (COM); LC/UPC (O-band)	
Module Input/Output Ports	<ul style="list-style-type: none"> • 1550 INP (1550) • COM (combined 1550 and O-band input/output) • O-band (O-band input/output) 	
Optical		
	O-band	1550
Passband (nm) @ 0.15 dB	1263.5–1357.5 (O-band)	1423.5–1617.5 (CWDM)
Insertion Losses, max (including connectors) (dB)	1.0	14.3
Isolation, min (dB)	60	18
Ripple within Passband, max (dB)	0.15	
Power Handling, max (any input port) (dBm)	24.8	
Directivity, min (dB)	55	
Return Loss, min (dB)	45	
Polarization Dependent Loss, max (typ) (dB)	0.11 (< 0.1)	

ORDERING INFORMATION

Model Name	Description
NP34C16w00AyS-OLA-SL	w = Packages per module (S = Single) y = 0 SL = (1550 INP = SC/APC; COM = LC/APC; O-band = LC/UPC)

RELATED PRODUCTS

CH3000 Chassis	Optical Patch Cords
Optical Transmitters	Optical Passives
PF3000 Frame	Installation Services

Customer Care

Contact Customer Care for product information and sales:

- United States: 866-36-ARRIS
- International: +1-678-473-5656

Note: Specifications are subject to change without notice.

Copyright Statement: © 2020 CommScope, Inc. All rights reserved. ARRIS and the ARRIS logo are trademarks of CommScope, Inc. and/or its affiliates. All other trademarks are the property of their respective owners. No part of this content may be reproduced in any form or by any means or used to make any derivative work (such as translation, transformation, or adaptation) without written permission from CommScope, Inc and/or its affiliates ("CommScope"). CommScope reserves the right to revise or change this content from time to time without obligation on the part of CommScope to provide notification of such revision or change.

1514095-RevA_NP34C16_OpticalFilterOBandCWDM

10/2020 EA-32184

Ask us about the complete Access Technologies Solutions portfolio:

ISP-NP34