

# H-3-CPUSE-D-AI6

Air Dielectric Hybrid Coupler, 555–2700 MHz



## OBSOLETE

This product was discontinued on: July 31, 2021

### Replaced By:

H-3-UW-43-AI6

Low PIM Air Dielectric Hybrid Coupler, 555–6000 MHz

## Product Classification

### Regional Availability

Asia | Australia/New Zealand | EMEA | Latin America | North America

### Product Type

Hybrid coupler

## General Specifications

### Device Type

Hybrid

### Application

Indoor/Outdoor

### Color

Silver

### Inner Contact Plating

Silver

### Interface

7-16 DIN Female

### Outer Contact Plating

Trimetal

## Dimensions

### Height

36 mm | 1.417 in

### Width

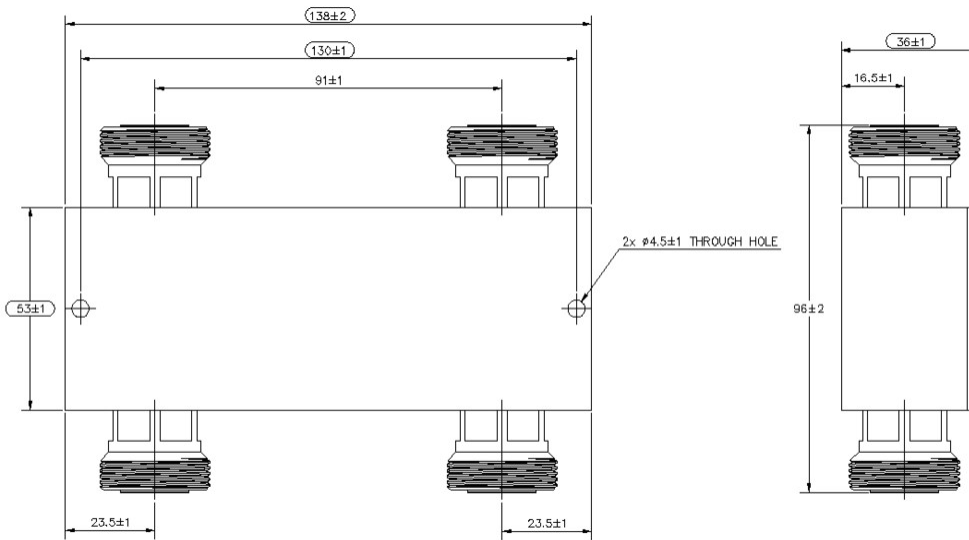
96 mm | 3.78 in

### Length

138 mm | 5.433 in

## Outline Drawing

# H-3-CPUSE-D-A16



## Electrical Specifications

<b>3rd Order IMD</b>	-160 dBc
<b>3rd Order IMD Test Method</b>	Two +43 dBm carriers
<b>Insertion Loss at Frequency Band</b>	0.2 dB @ 555–2700 MHz
<b>Return Loss, minimum</b>	20.8 dB
<b>Average Power, maximum</b>	200 W
<b>Coupling</b>	3.1 dB
<b>Coupling Tolerance</b>	±0.6dB @ 698–2700 MHz   ±1.2dB @ 555–698 MHz
<b>Impedance</b>	50 ohm
<b>Isolation at Frequency Band</b>	28 dB @ 555–2700 MHz
<b>Operating Frequency Band</b>	555 – 2700 MHz
<b>Peak Power, maximum</b>	1 kW
<b>Reflected Power, maximum</b>	200 W
<b>VSWR</b>	1.2

## Mechanical Specifications

<b>Coupling Nut Proof Torque</b>	25 N-m   221.269 in lb
----------------------------------	------------------------

## Environmental Specifications

<b>Operating Temperature</b>	-35 °C to +85 °C (-31 °F to +185 °F)
------------------------------	--------------------------------------

# H-3-CPUSE-D-A16

---

<b>Relative Humidity</b>	Up to 100%
<b>Ingress Protection Test Method</b>	IEC 60529:2001, IP65

## Packaging and Weights

<b>Height, packed</b>	60 mm   2.362 in
<b>Width, packed</b>	110 mm   4.331 in
<b>Length, packed</b>	170 mm   6.693 in
<b>Volume</b>	1122 cc   68.469 in <sup>3</sup>
<b>Weight, gross</b>	1 kg   2.205 lb
<b>Weight, net</b>	0.9 kg   1.984 lb

## Regulatory Compliance/Certifications

<b>Agency</b>	<b>Classification</b>
CHINA-ROHS	Below maximum concentration value
ISO 9001:2015	Designed, manufactured and/or distributed under this quality management system
REACH-SVHC	Compliant as per SVHC revision on <a href="http://www.commscope.com/ProductCompliance">www.commscope.com/ProductCompliance</a>
ROHS	Compliant
UK-ROHS	Compliant

