

# S-2-CPUSE-H-DI6



Two-way Reactive Power Splitter, 555–2700 MHz (Additional mounting bracket PN:42396A-17 sold separately)

## OBSOLETE

This product was discontinued on: July 31, 2021

### Replaced By:

S-2-UW-H-43-I6

Ultra Wideband Two-way Low PIM Reactive High Power Splitter, 555–6000 MHz (Additional mounting bracket PN:42396A-17 sold separately)

## Product Classification

### Regional Availability

Asia | Australia/New Zealand | EMEA | Latin America | North America

### Product Type

Power splitter

## General Specifications

### Device Type

Splitter

### Application

Indoor/Outdoor

### Color

Silver

### Inner Contact Plating

Silver

### Interface

7-16 DIN Female

### Outer Contact Plating

Trimetal

## Dimensions

### Height

25 mm | 0.984 in

### Width

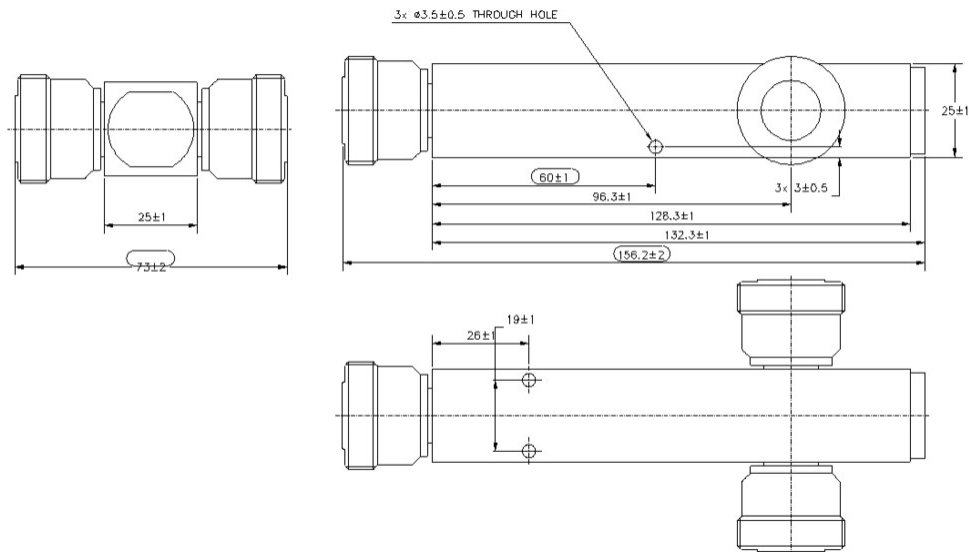
73 mm | 2.874 in

### Length

156 mm | 6.142 in

## Outline Drawing

# S-2-CPUSE-H-DI6



## Electrical Specifications

<b>3rd Order IMD</b>	-160 dBc
<b>3rd Order IMD Test Method</b>	Two +43 dBm carriers
<b>Insertion Loss at Frequency Band</b>	0.2 dB @ 555–2700 MHz
<b>Return Loss, minimum</b>	20.8 dB
<b>Average Power, maximum</b>	300 W
<b>Impedance</b>	50 ohm
<b>Operating Frequency Band</b>	555 – 2700 MHz
<b>Peak Power, maximum</b>	3 kW
<b>Power Rating, Splitting</b>	300 W
<b>Reflected Power, maximum</b>	300 W
<b>Split Loss</b>	3 dB
<b>VSWR</b>	1.2

## Mechanical Specifications

<b>Coupling Nut Proof Torque</b>	25 N-m   221.269 in lb
----------------------------------	------------------------

## Environmental Specifications

<b>Operating Temperature</b>	-35 °C to +85 °C (-31 °F to +185 °F)
<b>Relative Humidity</b>	Up to 100%

# S-2-CPUSE-H-DI6

---

**Ingress Protection Test Method** IEC 60529:2001, IP65

## Packaging and Weights

<b>Height, packed</b>	40 mm   1.575 in
<b>Width, packed</b>	90 mm   3.543 in
<b>Length, packed</b>	180 mm   7.087 in
<b>Volume</b>	648000 mm <sup>3</sup>   39.544 in <sup>3</sup>
<b>Weight, gross</b>	0.45 kg   0.992 lb
<b>Weight, net</b>	0.38 kg   0.838 lb

## Regulatory Compliance/Certifications

<b>Agency</b>	<b>Classification</b>
CHINA-ROHS	Below maximum concentration value
ISO 9001:2015	Designed, manufactured and/or distributed under this quality management system
REACH-SVHC	Compliant as per SVHC revision on <a href="http://www.commscope.com/ProductCompliance">www.commscope.com/ProductCompliance</a>
ROHS	Compliant

