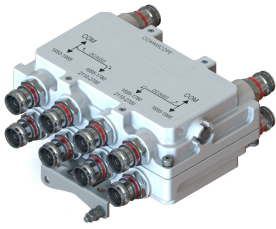


SDX1926Q-43 | E14F05P86



Ultra Compact Quad-pack Diplexer PCS/AWS+WCS+BRS, DC AWS/WCS /BRS, 4.3-10

- Quad configuration, 4x4 MIMO ready
- Ideal for small cell applications
- BTS-to-feeder and feeder-to-antenna application
- DC/AISG pass on 1695-1780/2110-2700 MHz
- New 4.3-10 connectors for improved PIM performance and size reduction
- Industry leading PIM performance

Product Classification

Product Type Diplexer

General Specifications

Color Gray

Common Port Label Common

Modularity 4-Quad

RF Connector Interface 4.3-10 Female

RF Connector Interface Body Style Long neck

Dimensions

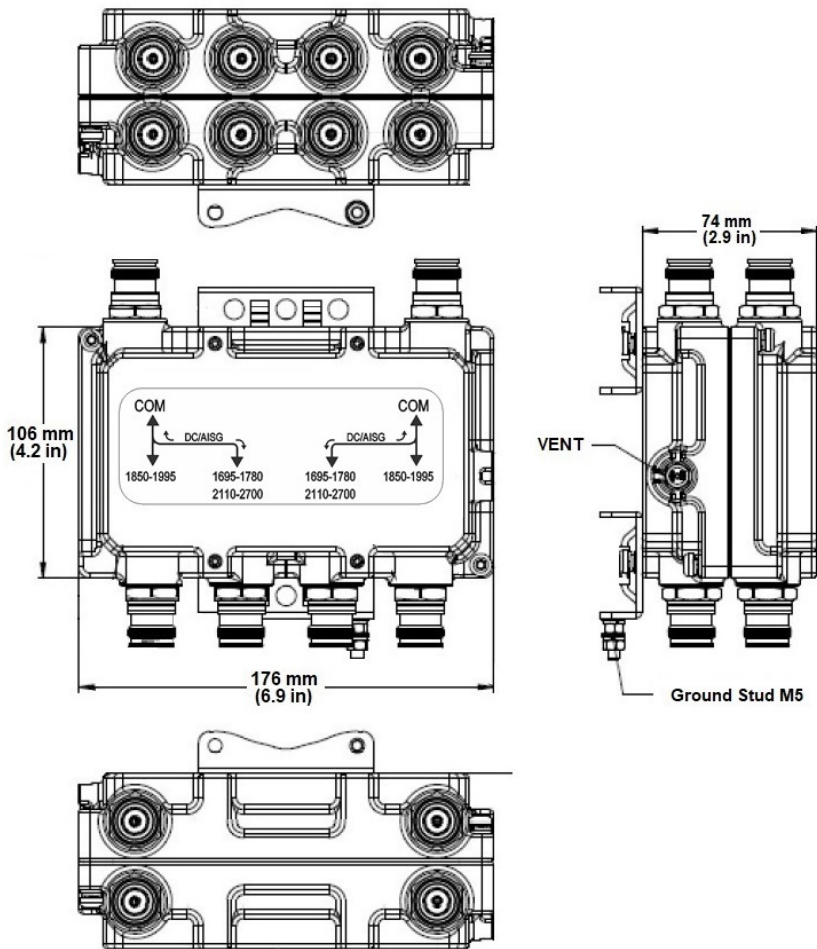
Height 106 mm | 4.173 in

Width 176 mm | 6.929 in

Depth 74 mm | 2.913 in

Outline Drawing

SDX1926Q-43 | E14F05P86



Electrical Specifications

Impedance	50 ohm
License Band, Band Pass	AWS 1700 IMT 2600 PCS 1900 TDD 1900 TDD 2300 TDD 2600 WCS 2300

Electrical Specifications, dc Power/Alarm

dc/AISG Pass-through Method	Factory set
dc/AISG Pass-through Path	Branch 2
dc/AISG Pass-through, combiner	Branch 2
dc/AISG Pass-through, demultiplexer	Branch 2
Lightning Surge Current	5 kA
Lightning Surge Current Waveform	8/20 waveform

SDX1926Q-43 | E14F05P86

Voltage 7–30 Vdc

Electrical Specifications, AISG

AISG Carrier 2.176 MHz ± 100 ppm

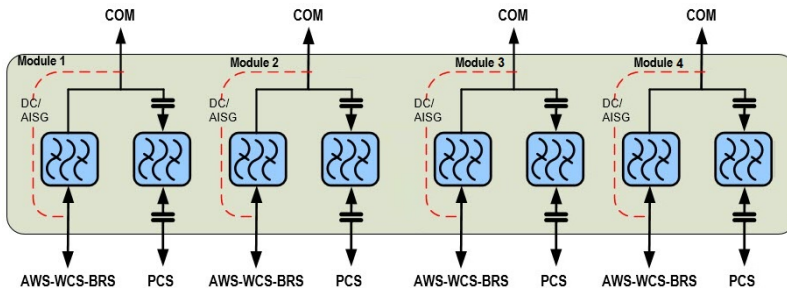
Electrical Specifications

Sub-module	1 2	1 2
Branch	1	2
Port Designation	PCS	AWS-WCS-BRS
License Band	PCS 1900, Band Pass	WCS 2300, Band Pass AWS 1700, Band Pass TDD 2600, Band Pass IMT 2600, Band Pass

Electrical Specifications, Band Pass

Frequency Range, MHz	1850-1995	1695–1780 2110–2700
Insertion Loss, typical, dB	0.2	0.15
Total Group Delay, maximum, ns	15	15
Return Loss, typical, dB	22	22
Isolation, typical, dB	42	42
Input Power, RMS, maximum, W	100	100
Input Power, PEP, maximum, W	1500	1500
3rd Order PIM, minimum, dBc	-161	-161
3rd Order PIM Test Method	2 x 20 W CW tones	2 x 20 W CW tones

Block Diagram



Mechanical Specifications

Wind Loading @ Velocity, frontal 26.0 N @ 150 km/h (5.8 lbf @ 150 km/h)

Wind Loading @ Velocity, lateral 8.0 N @ 150 km/h (1.8 lbf @ 150 km/h)

Environmental Specifications

Operating Temperature	-40 °C to +65 °C (-40 °F to +149 °F)
Relative Humidity	Up to 100%
Corrosion Test Method	IEC 60068-2-11, 30 days
Ingress Protection Test Method	IEC 60529:2001, IP67

Packaging and Weights

Mounting Hardware Weight	0.2 kg 0.441 lb
Volume	1.4 L
Weight, without mounting hardware	2.8 kg 6.173 lb

Regulatory Compliance/Certifications

Agency	Classification
CHINA-ROHS	Below maximum concentration value
REACH-SVHC	Compliant as per SVHC revision on www.commscope.com/ProductCompliance
ROHS	Compliant
UK-ROHS	Compliant/Exempted

