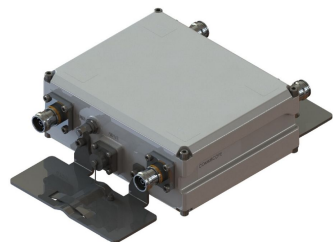


TMAT21-11-43 | E14R00P14



Tower Mounted Amplifier, Twin AWS 1-4 with AISG, 4.3-10 Connectors

- New 4.3-10 connectors for improved PIM performance and size reduction

OBSOLETE

Replaced By:

TMAT19G21B68-21
E14R00P71

Tower Mounted Amplifier, Twin Diplexed PCS(B25)/AWS 1-4, 555-894 MHz bypass 4.3-10

Product Classification

Product Type 1-BTS:1-ANT (Uniplex) | Tower mounted amplifier

General Specifications

Color Gray

Modularity 2-Twin

Mounting Pole | Wall

Mounting Pipe Hardware Band clamps (2)

RF Connector Interface 4.3-10 Female

RF Connector Interface Body Style Long neck

Dimensions

Height 161 mm | 6.339 in

Width 196 mm | 7.717 in

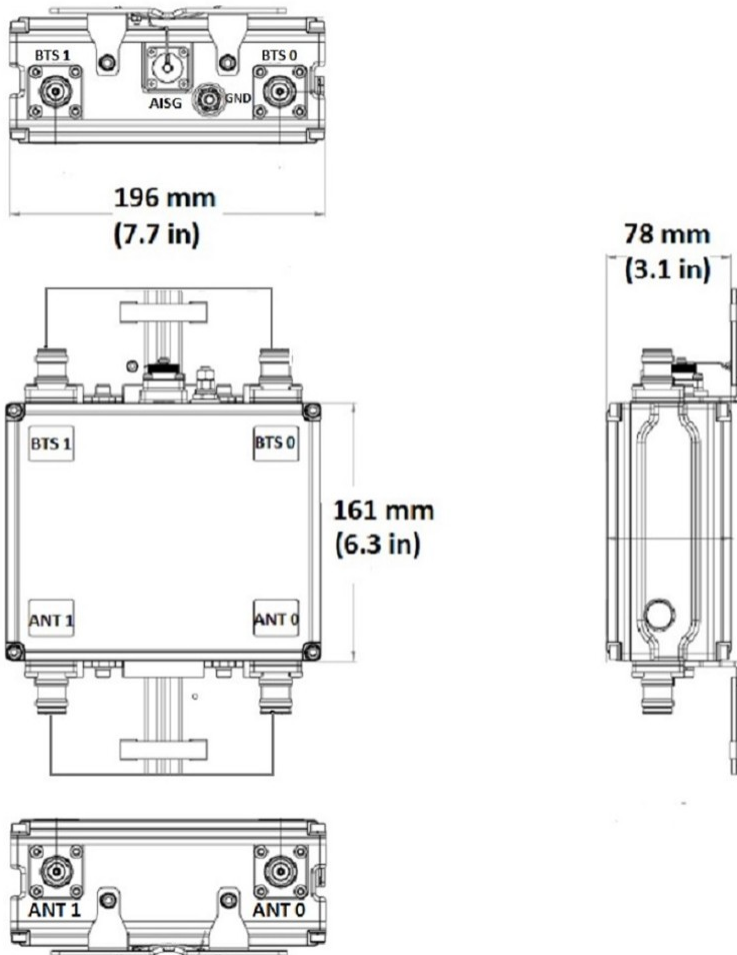
Depth 78 mm | 3.071 in

Ground Screw Diameter 5 mm | 0.197 in

Mounting Pipe Diameter Range 40-160 mm

TMAT21-11-43 | E14R00P14

Outline Drawing



Electrical Specifications

License Band, LNA AWS 1700

Electrical Specifications, dc Power/Alarm

dc Switching/Redundancy	Yes
Lightning Surge Current	20 kA
Lightning Surge Current Waveform	8/20 waveform
Operating Current at Voltage	100 mA @ 12 V
Operating Current Tolerance	±20 mA
Voltage	7–30 Vdc

TMAT21-11-43 | E14R00P14

Voltage, CWA Mode	10–18 Vdc
Alarm Current, CWA Mode	190 mA ±10 mA

Electrical Specifications, AISG

AISG Connector	8-pin DIN Female
AISG Connector Standard	IEC 60130-9
Protocol	AISG 2.0
Voltage, AISG Mode	10–30 Vdc

Electrical Specifications

Sub-module	1 2
Branch	1
Port Designation	ANT
License Band	AWS 1700, LNA
Return Loss, typical, dB	21
Return Loss - Bypass Mode, typical, dB	17

Electrical Specifications Rx (Uplink)

Frequency Range, MHz	1695–1780
Gain, nominal, dB	12
Gain Tolerance, dB	±1
Noise Figure, typical, dB	1.2
Total Group Delay, maximum, ns	35
Output IP3, minimum, dBm	22
Insertion Loss - Bypass Mode, typical, dB	1.7

Electrical Specifications Tx (Downlink)

Frequency Range, MHz	2110–2200
Insertion Loss, typical, dB	0.2
Total Group Delay, maximum, ns	10
Return Loss, typical, dB	21
Input Power, RMS, maximum, W	200

TMAT21-11-43 | E14R00P14

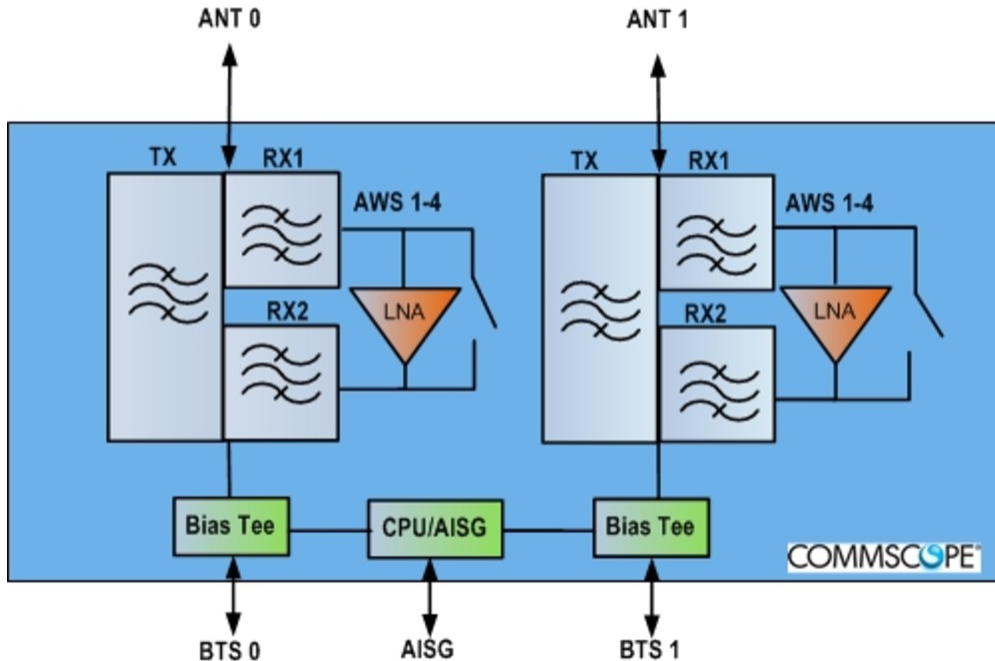
Input Power, PEP, maximum, 2000
W

Electrical Specifications, Band Pass

Higher Order PIM, typical, dBc -161

Higher Order PIM Test Method 2 x 20 W CW tones

Block Diagram



Material Specifications

Finish Painted

Environmental Specifications

Operating Temperature -40 °C to +65 °C (-40 °F to +149 °F)

Relative Humidity Up to 100%

Corrosion Test Method IEC 60068-2-11, 30 days

Ingress Protection Test Method IEC 60529:2001, IP67

Packaging and Weights

Included Mounting hardware

Weight, without mounting hardware 3.4 kg | 7.496 lb

Regulatory Compliance/Certifications

Agency	Classification
CHINA-ROHS	Below maximum concentration value
ISO 9001:2015	Designed, manufactured and/or distributed under this quality management system
REACH-SVHC	Compliant as per SVHC revision on www.commscope.com/ProductCompliance
ROHS	Compliant



* Footnotes

License Band, LNA License Bands that have RxUplink amplification