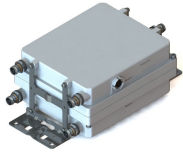


E14R00P59



Dual Band Tower Mounted Amplifier, 800/900 MHz, 700MHz Bypass, 12 dB, 2 BTS & 4 ANT ports, AISG with 1 RET connector, with 4.3-10 connectors (2 device with 2 sub-units)

- Designed to boost UP-Link Coverage and KPIs
- 2 input ports and 4 output ports
- 2 devices with 2 sub-units
- Single AISG with 1 RET connector
- New 4.3-10 connectors for improved PIM performance and size reduction

Product Classification

Product Type 2-BTS:4-ANT (Diplex) | Tower mounted amplifier

General Specifications

Color Gray

Modularity 2-Twin

Mounting Pipe Hardware Band clamps (2)

RF Connector Interface 4.3-10 Female

Dimensions

Height 271 mm | 10.669 in

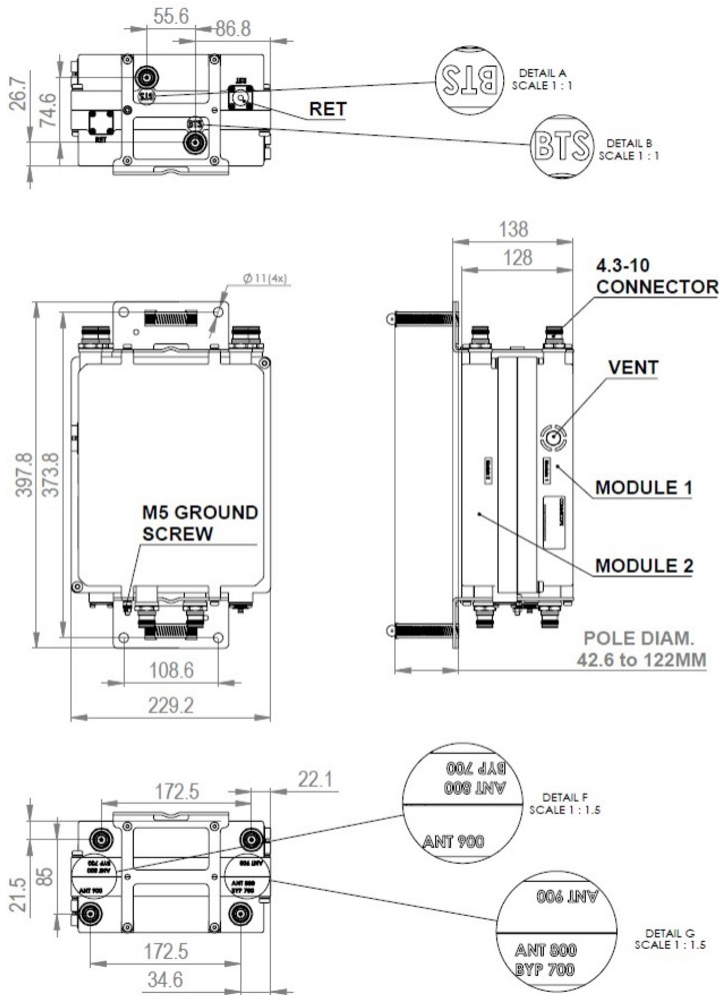
Width 230 mm | 9.055 in

Depth 128 mm | 5.039 in

Mounting Pipe Diameter Range 42.6–122 mm

Outline Drawing

E14R00P59



Electrical Specifications

License Band, LNA CEL 900 | EDD 800

Electrical Specifications, dc Power/Alarm

dc Switching/Redundancy Yes
Lightning Surge Current 10 kA
Lightning Surge Current Waveform 8/20 waveform
Voltage 7-30 Vdc

Electrical Specifications, AISG

AISG Connector 8-pin DIN Female
AISG Connector Standard IEC 60130-9

E14R00P59

Protocol	AISG 2.0
Voltage, AISG Mode	10–30 Vdc

Electrical Specifications

Sub-module	1 2	1 2
Branch	1	2
Port Designation	ANT 800	ANT 900
License Band	EDD 800, LNA	CEL 900, LNA
Return Loss, typical, dB	20	20
Return Loss - Bypass Mode, typical, dB	16	16

Electrical Specifications Rx (Uplink)

Frequency Range, MHz	832–862	880–915
Bandwidth, MHz	30	35
Gain, nominal, dB	12	12
Noise Figure, typical, dB	1.3	1.3
Total Group Delay, typical, ns	200	200
Insertion Loss - Bypass Mode, typical, dB	2.8	2.9

Electrical Specifications Tx (Downlink)

Frequency Range, MHz	791–821	925–960
Bandwidth, MHz	30	35
Insertion Loss, typical, dB	0.4	0.4
Total Group Delay, typical, ns	60	60
Return Loss, typical, dB	20	20
Input Power, RMS, maximum, W	200	200
Input Power, PEP, maximum, W	1000	2000
3rd Order PIM, typical, dBc	-160	-160
3rd Order PIM Test Method	Two +43 dBm carriers	Two +43 dBm carriers

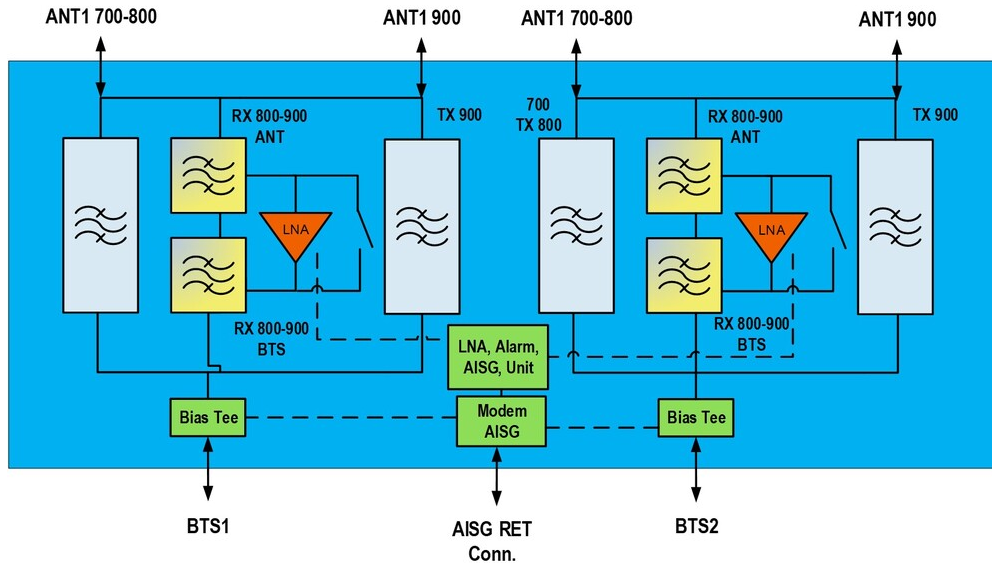
Electrical Specifications, Band Pass

Frequency Range, MHz	694–788
Insertion Loss, typical, dB	0.2
Total Group Delay, typical, ns	20
Return Loss, typical, dB	20
Input Power, RMS, maximum, W	200

E14R00P59

Input Power, PEP, maximum, W	1000
3rd Order PIM, typical, dBc	-160
3rd Order PIM Test Method	Two +43 dBm carriers

Block Diagram



Environmental Specifications

Operating Temperature	-40 °C to +65 °C (-40 °F to +149 °F)
Corrosion Test Method	IEC 60068-2-11, 30 days
Environmental Test Method	ETSI EN 300 019-1-4
Ingress Protection Test Method	IEC 60529:2001, IP67

Packaging and Weights

Included	Mounting hardware
Volume	7.95 L
Weight, net	10.2 kg 22.487 lb
Weight, without mounting hardware	9.6 kg 21.164 lb

* Footnotes

License Band, LNA	License Bands that have RxUplink amplification
--------------------------	--