



UHF Male for 1/4 in FSJ1-50A cable

## Product Classification

**Product Type** Wireless and radiating connector

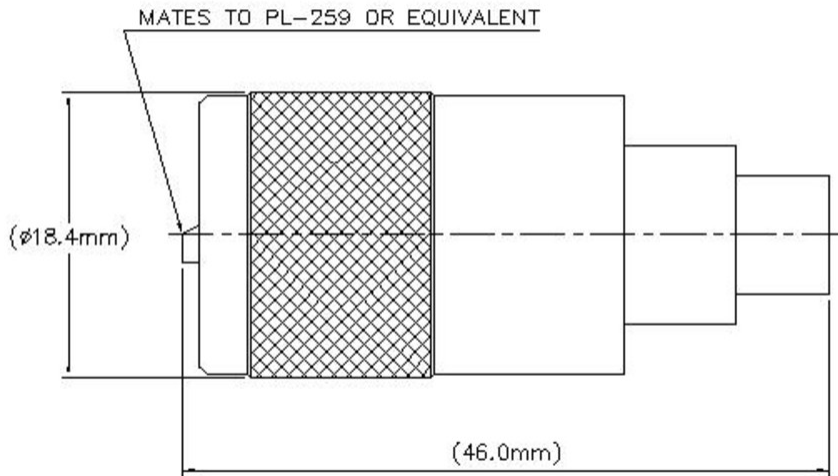
## General Specifications

**Body Style** Straight  
**Cable Family** FSJ1-50A  
**Inner Contact Plating** Silver  
**Interface** UHF Male  
**Mounting Angle** Straight  
**Outer Contact Plating** Nickel  
**Pressurizable** No

## Dimensions

**Height** 18.54 mm | 0.73 in  
**Width** 18.54 mm | 0.73 in  
**Length** 43.69 mm | 1.72 in  
**Diameter** 18.54 mm | 0.73 in  
**Nominal Size** 1/4 in

## Outline Drawing



## Electrical Specifications

<b>3rd Order IMD at Frequency</b>	-112 dBm @ 910 MHz
<b>3rd Order IMD Test Method</b>	Two +43 dBm carriers
<b>Average Power at Frequency</b>	0.4 kW @ 900 MHz
<b>Cable Impedance</b>	50 ohm
<b>Connector Impedance</b>	50 ohm
<b>Operating Frequency Band</b>	0 – 3000 MHz

## VSWR/Return Loss

Frequency Band	VSWR	Return Loss (dB)
45–400 MHz	1.152	23.02

## Mechanical Specifications

<b>Connector Retention Tensile Force</b>	449.27 N   101 lbf
<b>Interface Durability</b>	500 cycles
<b>Interface Durability Method</b>	IEC 61169-4:17
<b>Mechanical Shock Test Method</b>	IEC 60068-2-27

## Environmental Specifications

# 41SP

---

<b>Operating Temperature</b>	-55 °C to +85 °C (-67 °F to +185 °F)
<b>Storage Temperature</b>	-65 °C to +125 °C (-85 °F to +257 °F)
<b>Attenuation, Ambient Temperature</b>	20 °C   68 °F
<b>Average Power, Ambient Temperature</b>	40 °C   104 °F
<b>Average Power, Inner Conductor Temperature</b>	100 °C   212 °F
<b>Corrosion Test Method</b>	IEC 60068-2-11
<b>Moisture Resistance Test Method</b>	IEC 60068-2-3
<b>Thermal Shock Test Method</b>	IEC 60068-2-14
<b>Vibration Test Method</b>	IEC 60068-2-6

## Packaging and Weights

<b>Weight, net</b>	61 g   0.134 lb
--------------------	-----------------

## Regulatory Compliance/Certifications

<b>Agency</b>	<b>Classification</b>
CHINA-ROHS	Below maximum concentration value
ISO 9001:2015	Designed, manufactured and/or distributed under this quality management system
REACH-SVHC	Compliant as per SVHC revision on <a href="http://www.commscope.com/ProductCompliance">www.commscope.com/ProductCompliance</a>
ROHS	Compliant
UK-ROHS	Compliant

