

C085NF-BH

Type N Female Bulkhead for 0.085 in CF085-50 cable

OBSOLETE

This product was discontinued on: June 29, 2009

Replaced By:

C085NFBH

Type N Female Bulkhead for 0.085 in CF085-50 cable

Product Classification

Product Type Wireless and radiating connector

General Specifications

Body Style Bulkhead

Cable Family CF085-50

Inner Contact Plating Gold

Interface N Female

Mounting Angle Straight

Outer Contact Plating Nickel

Pressurizable No

Dimensions

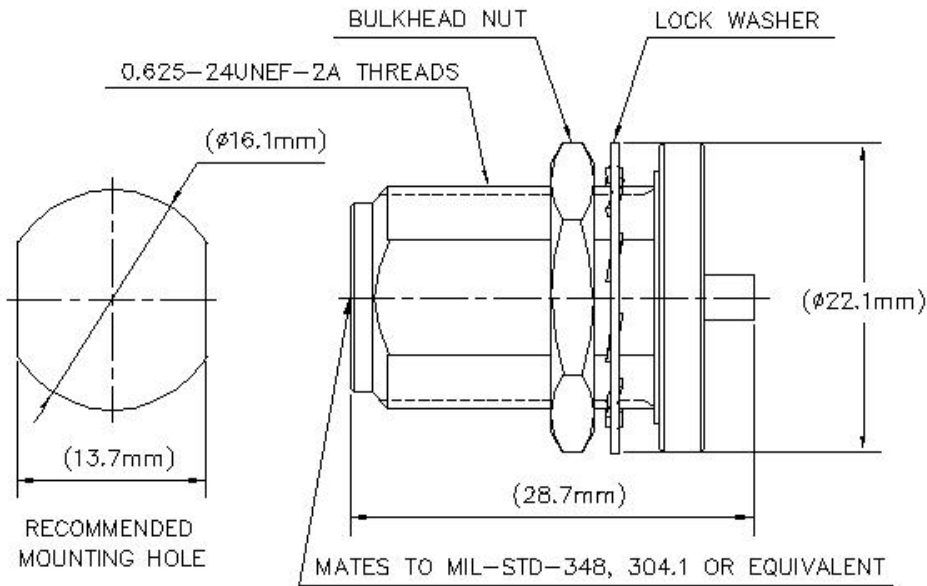
Height 32 mm | 1.26 in

Width 32 mm | 1.26 in

Length 26.92 mm | 1.06 in

Outline Drawing

C085NF-BH



Electrical Specifications

3rd Order IMD at Frequency	-112 dBm @ 910 MHz
3rd Order IMD Test Method	Two +43 dBm carriers
Average Power at Frequency	0.2 kW @ 900 MHz
Cable Impedance	50 ohm
Connector Impedance	50 ohm
dc Test Voltage	1900 V
Inner Contact Resistance, maximum	1 mOhm
Insulation Resistance, minimum	5000 MOhm
Operating Frequency Band	0 – 6000 MHz
Outer Contact Resistance, maximum	0.25 mOhm
Peak Power, maximum	0.21 kW
RF Operating Voltage, maximum (vrms)	671 V
Shielding Effectiveness	-100 dB

VSWR/Return Loss

Frequency Band	VSWR	Return Loss (dB)
0-1000 MHz	1.135	23.98

Mechanical Specifications

C085NF-BH

Insertion Force	124.55 N 28 lbf
Insertion Force Method	IEC 61169-16:9.3.5
Interface Durability	500 cycles
Interface Durability Method	IEC 61169-4:17
Mechanical Shock Test Method	IEC 60068-2-27

Environmental Specifications

Operating Temperature	-55 °C to +85 °C (-67 °F to +185 °F)
Storage Temperature	-65 °C to +125 °C (-85 °F to +257 °F)
Attenuation, Ambient Temperature	20 °C 68 °F
Average Power, Ambient Temperature	40 °C 104 °F
Average Power, Inner Conductor Temperature	100 °C 212 °F
Corrosion Test Method	IEC 60068-2-11
Immersion Depth	1 m
Immersion Test Mating	Mated
Immersion Test Method	IEC 60529:2001, IP68
Moisture Resistance Test Method	IEC 60068-2-3
Thermal Shock Test Method	IEC 60068-2-14
Vibration Test Method	IEC 60068-2-6

Packaging and Weights

Weight, net	34 g 0.075 lb
--------------------	-----------------

* Footnotes

Immersion Depth	Immersion at specified depth for 24 hours
------------------------	---