

# CA-SMSF

---



SMA Male to SMA Female Adapter

## Product Classification

**Product Type** Adapter

## General Specifications

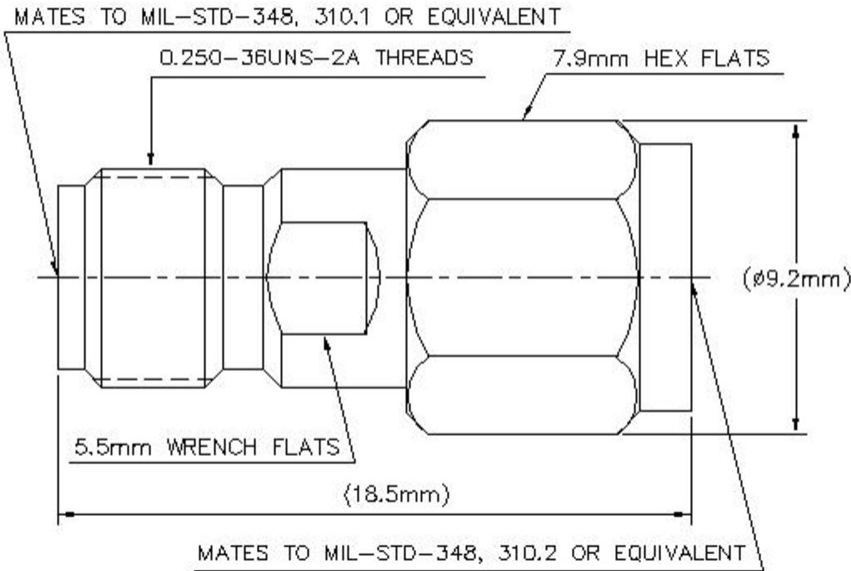
**Body Style** Straight  
**Inner Contact Plating** Gold  
**Interface** SMA Male  
**Interface 2** SMA Female  
**Mounting Angle** Straight  
**Outer Contact Plating** Trimetal  
**Pressurizable** No

## Dimensions

**Width** 9.15 mm | 0.36 in  
**Length** 18.47 mm | 0.727 in  
**Diameter** 7.92 mm | 0.312 in

## Outline Drawing

# CA-SMSF



## Electrical Specifications

<b>Average Power at Frequency</b>	100.0 W @ 900 MHz
<b>Connector Impedance</b>	50 ohm
<b>dc Test Voltage</b>	1000 V
<b>Inner Contact Resistance, maximum</b>	3 mOhm
<b>Insulation Resistance, minimum</b>	5000 MOhm
<b>Operating Frequency Band</b>	0 – 6000 MHz
<b>Outer Contact Resistance, maximum</b>	2.5 mOhm
<b>Peak Power, maximum</b>	5 kW
<b>RF Operating Voltage, maximum (vrms)</b>	500 V

## VSWR/Return Loss

Frequency Band	VSWR	Return Loss (dB)
0-3000 MHz	1.03	36.61
3000-6000 MHz	1.04	34.16

## Mechanical Specifications

<b>Coupling Nut Proof Torque</b>	1.7 N-m   15.046 in lb
<b>Coupling Nut Proof Torque Method</b>	IEC 61169-15:9.3.6
<b>Coupling Nut Retention Force</b>	180 N   40.466 lbf

# CA-SMSF

---

<b>Coupling Nut Retention Force Method</b>	IEC 61169-15:9.3.11
<b>Insertion Force</b>	22 N   4.946 lbf
<b>Insertion Force Method</b>	IEC 61169-15:9.3.5
<b>Interface Durability</b>	500 cycles
<b>Interface Durability Method</b>	IEC 61169-15:9.5
<b>Mechanical Shock Test Method</b>	IEC 60068-2-27

## Environmental Specifications

<b>Operating Temperature</b>	-55 °C to +85 °C (-67 °F to +185 °F)
<b>Storage Temperature</b>	-65 °C to +125 °C (-85 °F to +257 °F)
<b>Attenuation, Ambient Temperature</b>	20 °C   68 °F
<b>Average Power, Ambient Temperature</b>	40 °C   104 °F
<b>Average Power, Inner Conductor Temperature</b>	100 °C   212 °F
<b>Climatic Sequence Test Method</b>	IEC 60068-1
<b>Corrosion Test Method</b>	IEC 60068-2-11
<b>Damp Heat Steady State Test Method</b>	IEC 60068-2-3
<b>Thermal Shock Test Method</b>	IEC 60068-2-14
<b>Vibration Test Method</b>	IEC 60068-2-6

## Packaging and Weights

<b>Weight, net</b>	5 g   0.011 lb
--------------------	----------------

## Regulatory Compliance/Certifications

<b>Agency</b>	<b>Classification</b>
ISO 9001:2015	Designed, manufactured and/or distributed under this quality management system