

F1TSF-BH



SMA Female Bulkhead for 1/4 in FSJ1-50A cable

OBSOLETE

Product Classification

Product Type	Wireless and radiating connector
Product Brand	HELIAX®
Product Series	FSJ1-50A

General Specifications

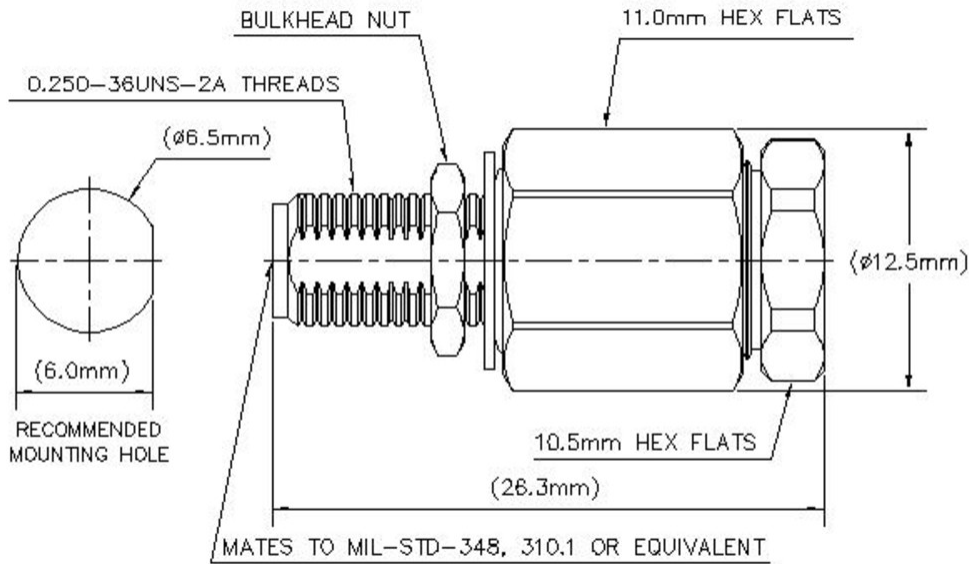
Body Style	Bulkhead
Cable Family	FSJ1-50A
Inner Contact Attachment Method	Solder
Inner Contact Plating	Gold
Interface	SMA Female
Mounting Angle	Straight
Outer Contact Attachment Method	Tab-flare
Outer Contact Plating	Trimetal
Pressurizable	No

Dimensions

Height	12.45 mm 0.49 in
Width	12.45 mm 0.49 in
Length	22.61 mm 0.89 in
Diameter	12.45 mm 0.49 in
Nominal Size	1/4 in

Outline Drawing

F1TSF-BH



Electrical Specifications

Average Power at Frequency	0.4 kW @ 900 MHz
Cable Impedance	50 ohm
Connector Impedance	50 ohm
dc Test Voltage	1000 V
Inner Contact Resistance, maximum	3 mOhm
Insulation Resistance, minimum	5000 MOhm
Operating Frequency Band	0 – 18000 MHz
Outer Contact Resistance, maximum	2.5 mOhm
Peak Power, maximum	5 kW
RF Operating Voltage, maximum (vrms)	500 V
Shielding Effectiveness	-110 dB

VSWR/Return Loss

Frequency Band	VSWR	Return Loss (dB)
824-2700 MHz	1.111	25.58
3000-6000 MHz	1.141	23.63
6000-8000 MHz	1.141	23.63
8000-10000 MHz	1.2	21.2

F1TSF-BH

10000–12000 MHz	1.26	19
12000–14000 MHz	1.26	19
14000–18000 MHz	1.33	17

Mechanical Specifications

Connector Retention Tensile Force	355.86 N 80 lbf
Coupling Nut Proof Torque Method	IEC 61169-16:9.3.11
Insertion Force	97.86 N 22 lbf
Insertion Force Method	IEC 61169-16:9.3.5
Interface Durability	500 cycles
Interface Durability Method	IEC 61169-4:17
Mechanical Shock Test Method	IEC 60068-2-27

Environmental Specifications

Operating Temperature	-55 °C to +85 °C (-67 °F to +185 °F)
Storage Temperature	-65 °C to +125 °C (-85 °F to +257 °F)
Attenuation, Ambient Temperature	20 °C 68 °F
Average Power, Ambient Temperature	40 °C 104 °F
Average Power, Inner Conductor Temperature	100 °C 212 °F
Corrosion Test Method	IEC 60068-2-11
Moisture Resistance Test Method	IEC 60068-2-3
Thermal Shock Test Method	IEC 60068-2-14
Vibration Test Method	IEC 60068-2-6

Packaging and Weights

Weight, net	10.57 g 0.023 lb
--------------------	--------------------

Regulatory Compliance/Certifications

Agency	Classification
CHINA-ROHS	Below maximum concentration value
ISO 9001:2015	Designed, manufactured and/or distributed under this quality management system
REACH-SVHC	Compliant as per SVHC revision on www.commscope.com/ProductCompliance
ROHS	Compliant
UK-ROHS	Compliant

FITSF-BH

