

F1TSR-HF

SMA Male Right Angle for 1/4 in FSJ1-50A cable



Product Classification

Product Type	Wireless and radiating connector
Product Brand	HELIAX®
Product Series	FSJ1-50A

General Specifications

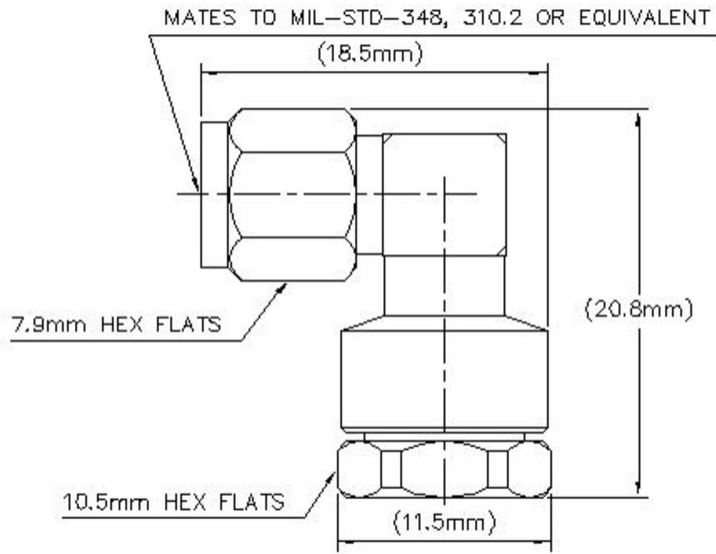
Body Style	Right angle
Cable Family	FSJ1-50A
Inner Contact Attachment Method	Solder
Inner Contact Plating	Gold
Interface	SMA Male
Outer Contact Attachment Method	Clamp
Outer Contact Plating	Trimetal
Pressurizable	No

Dimensions

Height	18.8 mm 0.74 in
Width	10.92 mm 0.43 in
Length	20.83 mm 0.82 in
Right Angle Length	18.8 mm 0.74 in
Nominal Size	1/4 in

Outline Drawing

F1TSR-HF



Electrical Specifications

Average Power at Frequency	0.4 kW @ 900 MHz
Cable Impedance	50 ohm
Connector Impedance	50 ohm
dc Test Voltage	1000 V
Inner Contact Resistance, maximum	3 mOhm
Insulation Resistance, minimum	5000 MOhm
Operating Frequency Band	0 – 18000 MHz
Outer Contact Resistance, maximum	2.5 mOhm
Peak Power, maximum	2.5 kW
RF Operating Voltage, maximum (vrms)	565 V

VSWR/Return Loss

Frequency Band	VSWR	Return Loss (dB)
45–2700 MHz	1.058	31
2700–4000 MHz	1.065	30.04
4000–6000 MHz	1.119	25.01
6000–9000 MHz	1.196	20.99
9000–10200 MHz	1.222	20.01

F1TSR-HF

10000–12000 MHz	1.26	19
12000–16200 MHz	1.29	18
16200–18000 MHz	1.433	14.99

Mechanical Specifications

Connector Retention Tensile Force	449.27 N 101 lbf
Coupling Nut Proof Torque	1.7 N-m 15.046 in lb
Coupling Nut Proof Torque Method	IEC 61169-15:9.3.6
Coupling Nut Retention Force	180.02 N 40.47 lbf
Coupling Nut Retention Force Method	IEC 61169-15:9.3.11
Insertion Force	22.02 N 4.95 lbf
Insertion Force Method	IEC 61169-15:9.3.5
Interface Durability	500 cycles
Interface Durability Method	IEC 61169-15:9.5
Mechanical Shock Test Method	IEC 60068-2-27

Environmental Specifications

Operating Temperature	-40 °C to +85 °C (-40 °F to +185 °F)
Storage Temperature	-65 °C to +125 °C (-85 °F to +257 °F)
Attenuation, Ambient Temperature	20 °C 68 °F
Average Power, Ambient Temperature	40 °C 104 °F
Average Power, Inner Conductor Temperature	100 °C 212 °F
Corrosion Test Method	IEC 60068-2-11
Moisture Resistance Test Method	IEC 60068-2-3
Thermal Shock Test Method	IEC 60068-2-14
Vibration Test Method	IEC 60068-2-6
Water Jetting Test Mating	Mated
Water Jetting Test Method	IEC 60529:2001, IP65

Packaging and Weights

Weight, net	8.76 g 0.019 lb
--------------------	-------------------

Regulatory Compliance/Certifications

Agency	Classification
---------------	-----------------------

F1TSR-HF

CHINA-ROHS	Below maximum concentration value
ISO 9001:2015	Designed, manufactured and/or distributed under this quality management system
REACH-SVHC	Compliant as per SVHC revision on www.commscope.com/ProductCompliance
ROHS	Compliant
UK-ROHS	Compliant/Exempted

