

F4HMP-D



4.3-10 Male Push Pull for 1/2 in FSJ4-50B cable

Product Classification

| | |
|-----------------------|--------------------------------------|
| Product Type | Wireless and radiating connector |
| Product Brand | HELIAX® |
| Product Series | FSJ4-50B FSJ4RK-50B |
| Ordering Note | CommScope® standard product (Global) |

General Specifications

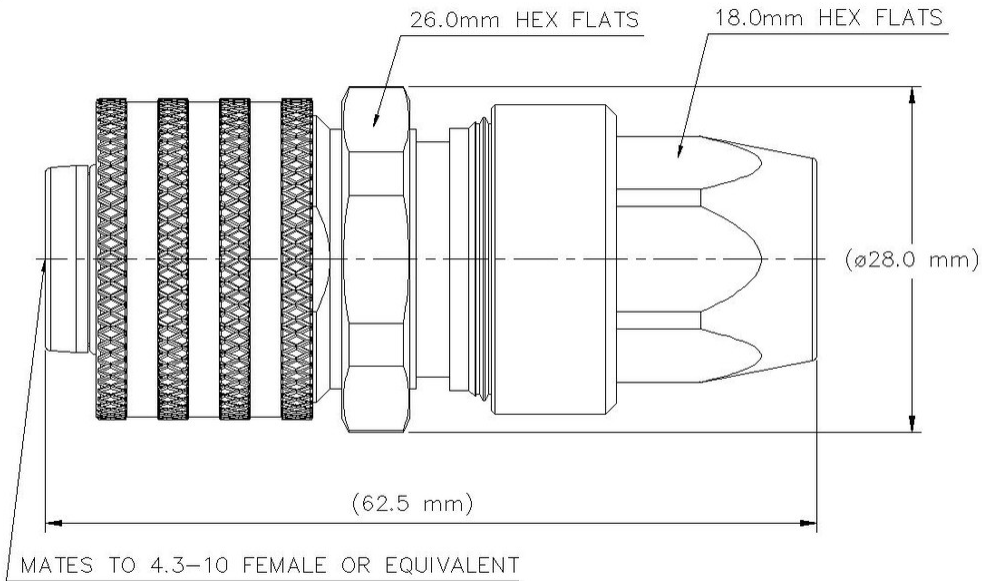
| | |
|--|-------------|
| Body Style | Straight |
| Cable Family | FSJ4-50B |
| Inner Contact Attachment Method | Captivated |
| Inner Contact Plating | Silver |
| Interface | 4.3-10 Male |
| Mounting Angle | Straight |
| Outer Contact Attachment Method | Crush-flare |
| Outer Contact Plating | Trimetal |

Dimensions

| | |
|---------------------|--------------------|
| Length | 62.48 mm 2.46 in |
| Diameter | 27.94 mm 1.1 in |
| Nominal Size | 1/2 in |

F4HMP-D

Outline Drawing



Electrical Specifications

| | |
|---|----------------------|
| 3rd Order IMD at Frequency | -116 dBm @ 910 MHz |
| 3rd Order IMD Dynamic Test Method | Two +43 dBm carriers |
| 3rd Order IMD Dynamic, typical | -116 dB |
| Insertion Loss Coefficient, typical | 0.05 |
| Average Power at Frequency | 600.0 W @ 900 MHz |
| Cable Impedance | 50 ohm |
| Connector Impedance | 50 ohm |
| dc Test Voltage | 2500 V |
| Inner Contact Resistance, maximum | 0.8 mOhm |
| Insulation Resistance, minimum | 5000 MOhm |
| Operating Frequency Band | 0 – 7500 MHz |
| Outer Contact Resistance, maximum | 1.5 mOhm |
| Peak Power, maximum | 22.5 kW |
| RF Operating Voltage, maximum (vrms) | 884 V |
| Shielding Effectiveness | -110 dB |

F4HMP-D

VSWR/Return Loss

| Frequency Band | VSWR | Return Loss (dB) |
|----------------|-------|------------------|
| 45–1000 MHz | 1.02 | 40.09 |
| 1000–2700 MHz | 1.03 | 36.61 |
| 2700–3800 MHz | 1.065 | 30.04 |
| 3800–6000 MHz | 1.15 | 23.13 |

Mechanical Specifications

| | |
|--|-------------------------|
| Attachment Durability | 5 cycles |
| Connector Retention Tensile Force | 889.64 N 200 lbf |
| Connector Retention Torque | 5.42 N-m 47.998 in lb |
| Interface Durability | 25 cycles |
| Interface Durability Method | IEC 61169-4:9.5 |
| Mechanical Shock Test Method | IEC 60068-2-27 |

Environmental Specifications

| | |
|---|--------------------------------------|
| Operating Temperature | -55 °C to +85 °C (-67 °F to +185 °F) |
| Storage Temperature | -55 °C to +85 °C (-67 °F to +185 °F) |
| Attenuation, Ambient Temperature | 20 °C 68 °F |
| Average Power, Ambient Temperature | 40 °C 104 °F |
| Corrosion Test Method | IEC 60068-2-11 |
| Immersion Depth | 1 m |
| Immersion Test Mating | Mated |
| Immersion Test Method | IEC 60529:2001, IP68 |
| Moisture Resistance Test Method | IEC 60068-2-3 |
| Thermal Shock Test Method | IEC 60068-2-14 |
| Vibration Test Method | IEC 60068-2-6 |
| Water Jetting Test Mating | Mated |
| Water Jetting Test Method | IEC 60529:2001, IP66 |

Packaging and Weights

F4HMP-D

Weight, net

123.37 g | 0.272 lb

Regulatory Compliance/Certifications

Agency

Classification

ISO 9001:2015

Designed, manufactured and/or distributed under this quality management system

* Footnotes

Insertion Loss Coefficient, typical 0.05√freq (GHz) (not applicable for elliptical waveguide)

Immersion Depth Immersion at specified depth for 24 hours