

LC Male for 1/2 in LDF4-50A cable

OBSOLETE

This product was discontinued on: September 7, 2008

Product Classification

Product Type	Wireless and radiating connector
Product Brand	HELIAX®

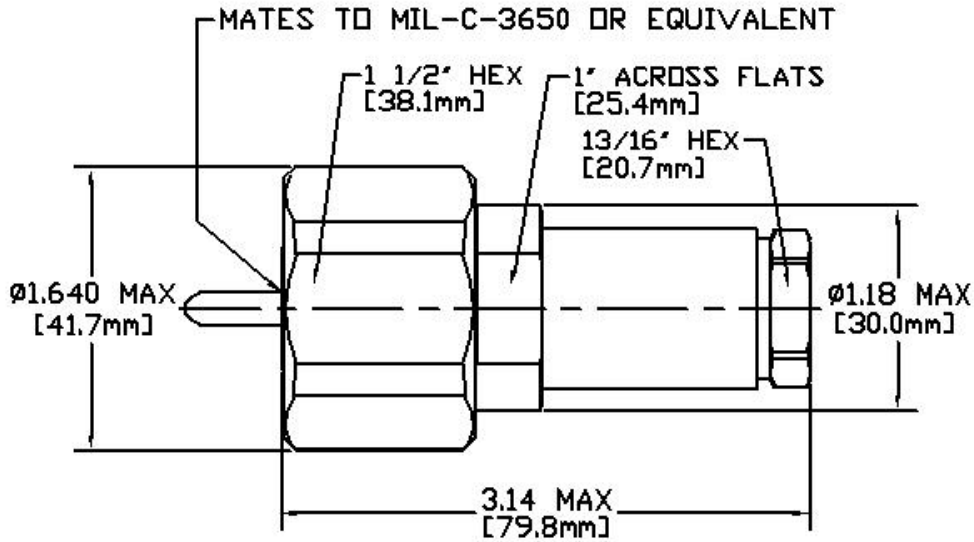
General Specifications

Body Style	Straight
Cable Family	LDF4-50A
Inner Contact Attachment Method	Solder
Inner Contact Plating	Unplated
Interface	LC Male
Mounting Angle	Straight
Outer Contact Attachment Method	Self-flare
Outer Contact Plating	Unplated
Pressurizable	No

Dimensions

Length	91.44 mm 3.6 in
Diameter	22.86 mm 0.9 in
Nominal Size	1/2 in

Outline Drawing



Electrical Specifications

Insertion Loss Coefficient, typical	0.05
Cable Impedance	50 ohm
Operating Frequency Band	0 – 7000 MHz

VSWR/Return Loss

Frequency Band	VSWR	Return Loss (dB)
45–1800 MHz	1.33	17
1800–4400 MHz	1.38	16
4400–6200 MHz	1.68	12
6200–7900 MHz	1.79	11
7900–8800 MHz	3.01	6

Mechanical Specifications

Attachment Durability	25 cycles
Connector Retention Tensile Force	889.64 N 200 lbf
Connector Retention Torque	5.42 N-m 47.998 in lb

Environmental Specifications

Attenuation, Ambient Temperature	20 °C 68 °F
---	---------------

L44M

Average Power, Ambient Temperature 40 °C | 104 °F

Packaging and Weights

Weight, net 318 g | 0.701 lb

* Footnotes

Insertion Loss Coefficient, typical $0.05\sqrt{\text{freq (GHz)}}$ (not applicable for elliptical waveguide)