

Splice for 1/2 in LDF4-50A cable

OBSOLETE

This product was discontinued on: December 31, 2010

Product Classification

Product Type	Wireless and radiating connector
Product Brand	HELIAX®

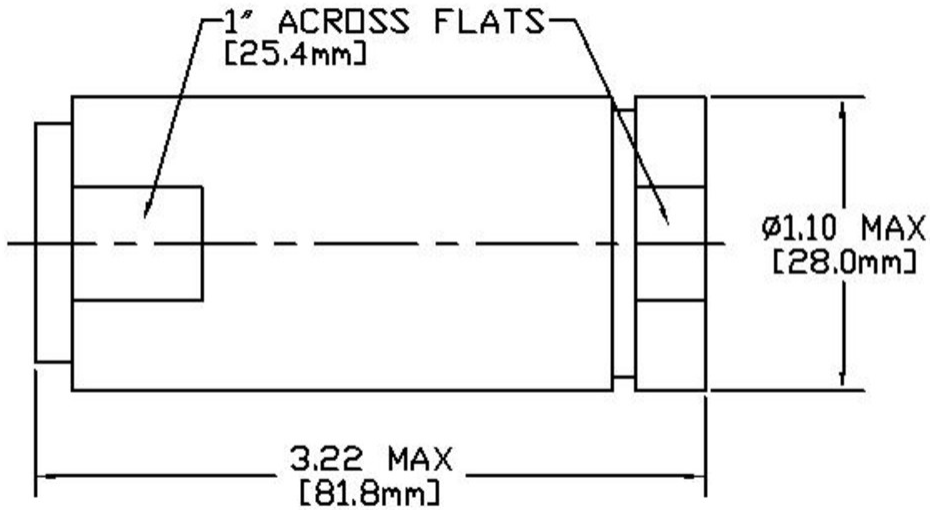
General Specifications

Body Style	Splice
Cable Family	LDF4-50A
Inner Contact Attachment Method	Self-tapping
Inner Contact Plating	Unplated
Interface	Splice
Mounting Angle	Straight
Outer Contact Attachment Method	Self-flare
Outer Contact Plating	Unplated
Pressurizable	No

Dimensions

Length	81.28 mm 3.2 in
Diameter	28.96 mm 1.14 in
Nominal Size	1/2 in

Outline Drawing



Electrical Specifications

Insertion Loss Coefficient, typical	0.05
Cable Impedance	50 ohm
Connector Impedance	50 ohm
Insulation Resistance, minimum	5000 MOhm
Operating Frequency Band	0 – 8800 MHz
Shielding Effectiveness	-110 dB

Mechanical Specifications

Attachment Durability	25 cycles
Connector Retention Tensile Force	889.64 N 200 lbf
Connector Retention Torque	5.42 N-m 47.998 in lb
Mechanical Shock Test Method	MIL-STD-202, Method 213, Test Condition I

Environmental Specifications

Operating Temperature	-55 °C to +150 °C (-67 °F to +302 °F)
Storage Temperature	-70 °C to +150 °C (-94 °F to +302 °F)
Attenuation, Ambient Temperature	20 °C 68 °F
Average Power, Ambient Temperature	40 °C 104 °F

Corrosion Test Method	MIL-STD-202, Method 101, Test Condition B
Immersion Depth	1 m
Moisture Resistance Test Method	MIL-STD-202, Method 106
Thermal Shock Test Method	MIL-STD-202, Method 107, Test Condition A-1, Low Temperature -55 °C
Vibration Test Method	MIL-STD-202, Method 204, Test Condition B

Packaging and Weights

Weight, net	272 g 0.6 lb
--------------------	----------------

* Footnotes

Insertion Loss Coefficient, typical	0.05√freq (GHz) (not applicable for elliptical waveguide)
Immersion Depth	Immersion at specified depth for 24 hours