

# L45Z

---

Splice for 7/8 in LDF5-50A cable

**OBSOLETE**

This product was discontinued on: August 30, 2008

## Product Classification

<b>Product Type</b>	Wireless and radiating connector
<b>Product Brand</b>	HELIAX®

## General Specifications

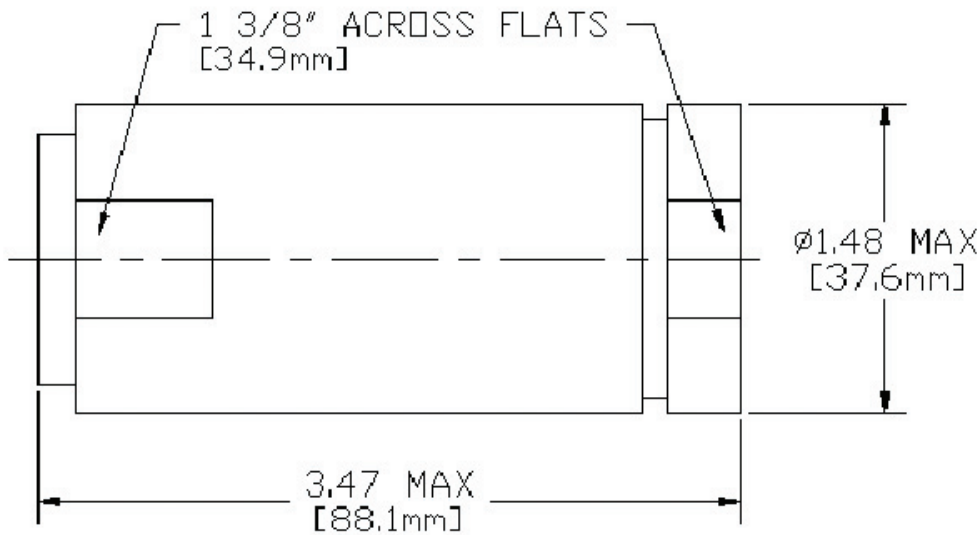
<b>Body Style</b>	Splice
<b>Cable Family</b>	LDF5-50A
<b>Inner Contact Attachment Method</b>	Self-tapping
<b>Inner Contact Plating</b>	Unplated
<b>Interface</b>	Splice
<b>Mounting Angle</b>	Straight
<b>Outer Contact Attachment Method</b>	Self-flare
<b>Outer Contact Plating</b>	Unplated
<b>Pressurizable</b>	No

## Dimensions

<b>Length</b>	83.82 mm   3.3 in
<b>Diameter</b>	37.34 mm   1.47 in
<b>Nominal Size</b>	1/2 in

## Outline Drawing

# L45Z



## Electrical Specifications

<b>Insertion Loss Coefficient, typical</b>	0.05
<b>Cable Impedance</b>	50 ohm
<b>Connector Impedance</b>	50 ohm
<b>Operating Frequency Band</b>	0 – 5000 MHz

## Mechanical Specifications

<b>Attachment Durability</b>	25 cycles
<b>Connector Retention Tensile Force</b>	889.64 N   200 lbf
<b>Connector Retention Torque</b>	5.42 N-m   47.998 in lb

## Environmental Specifications

<b>Attenuation, Ambient Temperature</b>	20 °C   68 °F
<b>Average Power, Ambient Temperature</b>	40 °C   104 °F
<b>Moisture Resistance Test Method</b>	MIL-STD-202, Method 106

## Packaging and Weights

<b>Weight, net</b>	372 g   0.82 lb
--------------------	-----------------

## \* Footnotes

# L45Z

---

**Insertion Loss Coefficient, typical**  $0.05\sqrt{\text{freq}}$  (GHz) (not applicable for elliptical waveguide)