

Splice for 1-1/4 in LDF6-50 cable

OBSOLETE

This product was discontinued on: December 31, 2010

Product Classification

Product Type	Wireless and radiating connector
Product Brand	HELIAX®

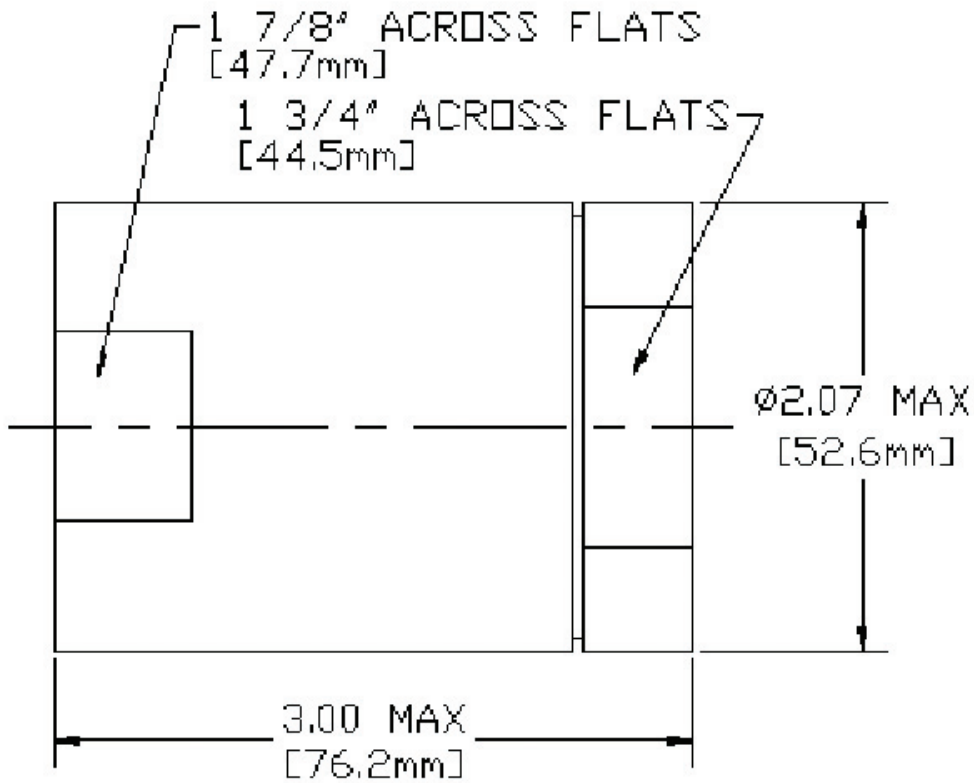
General Specifications

Body Style	Splice
Cable Family	LDF6-50
Inner Contact Attachment Method	Self-tapping
Inner Contact Plating	Unplated
Interface	Splice
Mounting Angle	Straight
Outer Contact Attachment Method	Self-flare
Outer Contact Plating	Unplated
Pressurizable	No

Dimensions

Length	76.2 mm 3 in
Diameter	53.09 mm 2.09 in
Nominal Size	1/2 in

Outline Drawing



Electrical Specifications

Insertion Loss Coefficient, typical	0.05
Cable Impedance	50 ohm
Connector Impedance	50 ohm
dc Test Voltage	6000 V
Inner Contact Resistance, maximum	1.5 mOhm
Insulation Resistance, minimum	5000 MOhm
Operating Frequency Band	0 – 3500 MHz
Shielding Effectiveness	-110 dB

Mechanical Specifications

Attachment Durability	25 cycles
Connector Retention Tensile Force	1,779.29 N 400 lbf
Connector Retention Torque	10.85 N-m 96.004 in lb

L46Z

Environmental Specifications

Attenuation, Ambient Temperature	20 °C 68 °F
Average Power, Ambient Temperature	40 °C 104 °F
Corrosion Test Method	MIL-STD-1344A, Method 1001.1, Test Condition A

Packaging and Weights

Weight, net	771 g 1.7 lb
--------------------	----------------

* Footnotes

Insertion Loss Coefficient, typical $0.05\sqrt{\text{freq}}$ (GHz) (not applicable for elliptical waveguide)