

L47S



7/8 in EIA Flange for 1-5/8 in LDF7-50A cable

- This product is exclusively available through distribution partners

OBSOLETE

This product was discontinued on: February 9, 2009

Product Classification

Product Type	Wireless and radiating connector
Product Brand	HELIAX®

General Specifications

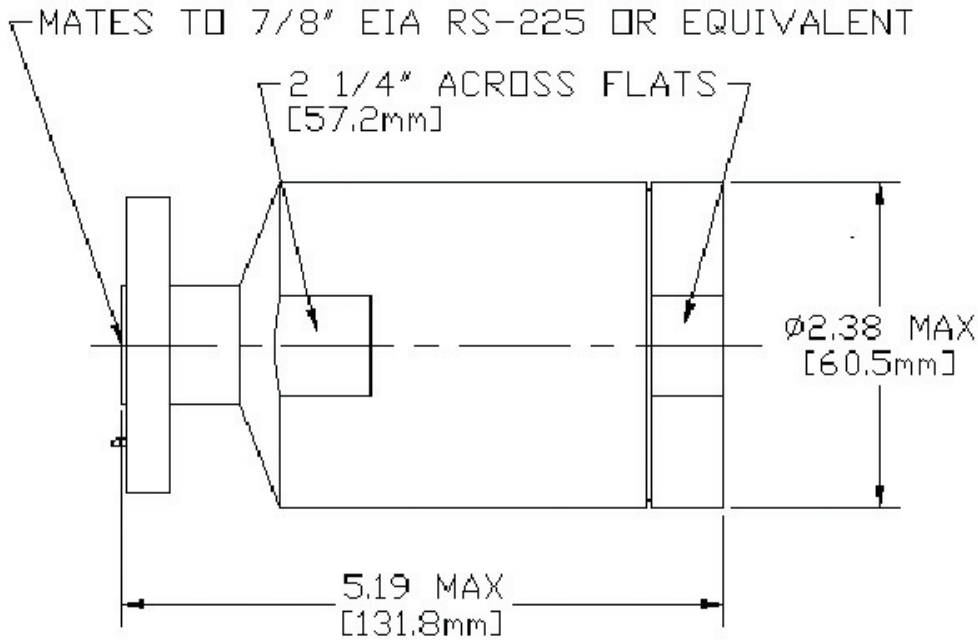
Body Style	Straight
Cable Family	LDF7-50A
Inner Contact Attachment Method	Tab-flare
Inner Contact Plating	Unplated
Interface	7/8 in EIA Flange
Mounting Angle	Straight
Outer Contact Attachment Method	Self-flare
Outer Contact Plating	Unplated
Pressurizable	No

Dimensions

Length	129.54 mm 5.1 in
Diameter	58.42 mm 2.3 in
Nominal Size	1/2 in

Outline Drawing

L47S



Electrical Specifications

Insertion Loss Coefficient, typical	0.05
Cable Impedance	50 ohm
Operating Frequency Band	0 – 2500 MHz

VSWR/Return Loss

Frequency Band	VSWR	Return Loss (dB)
45–1500 MHz	1.046	32.96
1500–2500 MHz	1.083	27.99

Mechanical Specifications

Attachment Durability	25 cycles
Connector Retention Tensile Force	2,224.11 N 500 lbf
Connector Retention Torque	13.56 N-m 119.998 in lb

Environmental Specifications

Attenuation, Ambient Temperature	20 °C 68 °F
Average Power, Ambient Temperature	40 °C 104 °F

L47S

Packaging and Weights

Weight, net 1,161.22 g | 2.56 lb

* Footnotes

Insertion Loss Coefficient, typical $0.05\sqrt{\text{freq}}$ (GHz) (not applicable for elliptical waveguide)