

SMALL-CAPKIT



Female End Cap Assembly for 4.3-10 series and 4.1-9.5 Din, work torque 5-8N/M.

Product Classification

| | |
|----------------------|----------------------------------|
| Product Type | Wireless and radiating connector |
| Product Brand | HELIAX® |

General Specifications

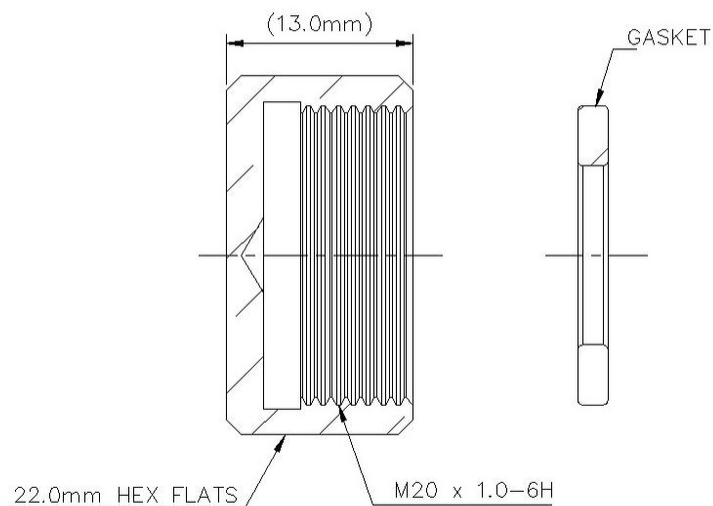
| | |
|------------------------------|----------|
| Outer Contact Plating | Trimetal |
|------------------------------|----------|

Dimensions

| | |
|-----------------|------------------|
| Length | 13 mm 0.512 in |
| Diameter | 24 mm 0.945 in |

Outline Drawing

4.3-10/4.1-9.5 FEMALE END CAP ASSEMBLY



SMALL-CAPKIT

Material Specifications

Material Type Brass

Mechanical Specifications

Coupling Nut Proof Torque 8 N-m | 70.806 in lb

Mechanical Shock Test Method IEC 60068-2-27

Environmental Specifications

Operating Temperature -55 °C to +85 °C (-67 °F to +185 °F)

Storage Temperature -65 °C to +125 °C (-85 °F to +257 °F)

Attenuation, Ambient Temperature 20 °C | 68 °F

Average Power, Ambient Temperature 40 °C | 104 °F

Average Power, Inner Conductor Temperature 100 °C | 212 °F

Corrosion Test Method IEC 60068-2-11

Immersion Depth 1 m

Immersion Test Mating Mated

Immersion Test Method IEC 60529:2001, IP68

Moisture Resistance Test Method IEC 60068-2-3

Thermal Shock Test Method IEC 60068-2-14

Vibration Test Method IEC 60068-2-6

Packaging and Weights

Height, packed 160.02 mm | 6.3 in

Width, packed 270.002 mm | 10.63 in

Length, packed 270.002 mm | 10.63 in

Packaging quantity 200

Weight, gross 0.023 kg | 0.05 lb

Weight, net 18 g | 0.04 lb

Regulatory Compliance/Certifications

| Agency | Classification |
|---------------|--|
| CHINA-ROHS | Below maximum concentration value |
| ISO 9001:2015 | Designed, manufactured and/or distributed under this quality management system |

SMALL-CAPKIT

| | |
|------------|--|
| REACH-SVHC | Compliant as per SVHC revision on www.commscope.com/ProductCompliance |
| ROHS | Compliant |
| UK-ROHS | Compliant |



* Footnotes

Immersion Depth Immersion at specified depth for 24 hours