

SMALL-M-CAPKIT



Male End Cap for 4.3-10 series.

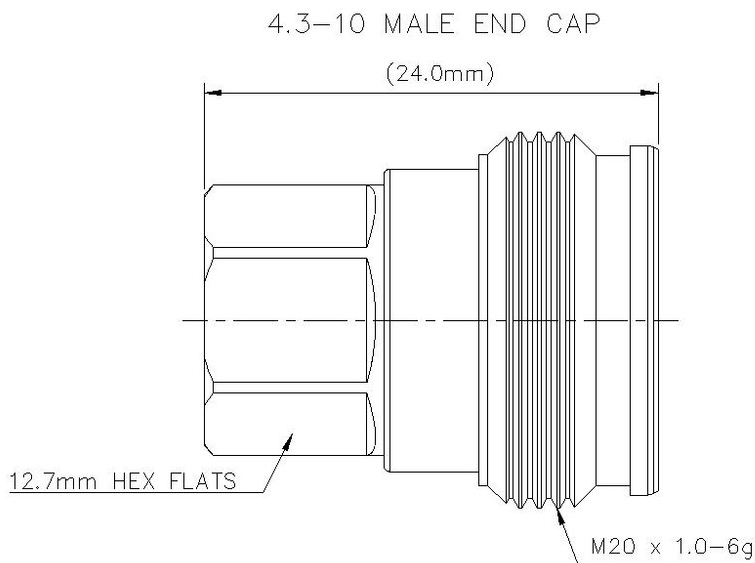
Product Classification

| | |
|----------------------|----------------------------------|
| Product Type | Wireless and radiating connector |
| Product Brand | HELIAX® |

Dimensions

| | |
|-----------------|--------------------|
| Length | 23.88 mm 0.94 in |
| Diameter | 19.81 mm 0.78 in |

Outline Drawing



Mechanical Specifications

| | |
|----------------------------------|----------------------|
| Coupling Nut Proof Torque | 8 N-m 70.806 in lb |
|----------------------------------|----------------------|

SMALL-M-CAPKIT

Mechanical Shock Test Method IEC 60068-2-27

Environmental Specifications

Operating Temperature -55 °C to +85 °C (-67 °F to +185 °F)
Storage Temperature -65 °C to +125 °C (-85 °F to +257 °F)
Attenuation, Ambient Temperature 20 °C | 68 °F
Average Power, Ambient Temperature 40 °C | 104 °F
Average Power, Inner Conductor Temperature 100 °C | 212 °F
Corrosion Test Method IEC 60068-2-11
Immersion Depth 1 m
Immersion Test Mating Mated
Immersion Test Method IEC 60529:2001, IP68
Moisture Resistance Test Method IEC 60068-2-3
Thermal Shock Test Method IEC 60068-2-14
Vibration Test Method IEC 60068-2-6

Packaging and Weights

Weight, net 26.7 g | 0.059 lb

Regulatory Compliance/Certifications

| Agency | Classification |
|---------------|--|
| CHINA-ROHS | Below maximum concentration value |
| ISO 9001:2015 | Designed, manufactured and/or distributed under this quality management system |
| REACH-SVHC | Compliant as per SVHC revision on www.commscope.com/ProductCompliance |
| ROHS | Compliant |
| UK-ROHS | Compliant |



* Footnotes

Immersion Depth Immersion at specified depth for 24 hours