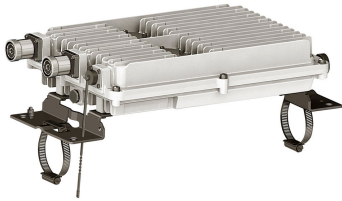


E15S07P13



Tower Mounted Amplifier, Dual LTE-TDD 2.3 GHz

- Single AISG with 1 RET connector
- Built in lightning protection
- Connectors "in line"
- Automatic LNA by-pass function
- 2 input ports and 2 output ports
- Designed to boost UP-Link Coverage and KPIs

This product will be discontinued on: December 31, 2024

Product Classification

Product Type 1-BTS:1-ANT (Uniplex) | Tower mounted amplifier

General Specifications

Color Gray

Modularity 2-Twin

Mounting Pole | Wall

Mounting Pipe Hardware Band clamps (2)

RF Connector Interface 7-16 DIN Female

RF Connector Interface Body Style Long neck

Dimensions

Height 78 mm | 3.071 in

Width 345 mm | 13.583 in

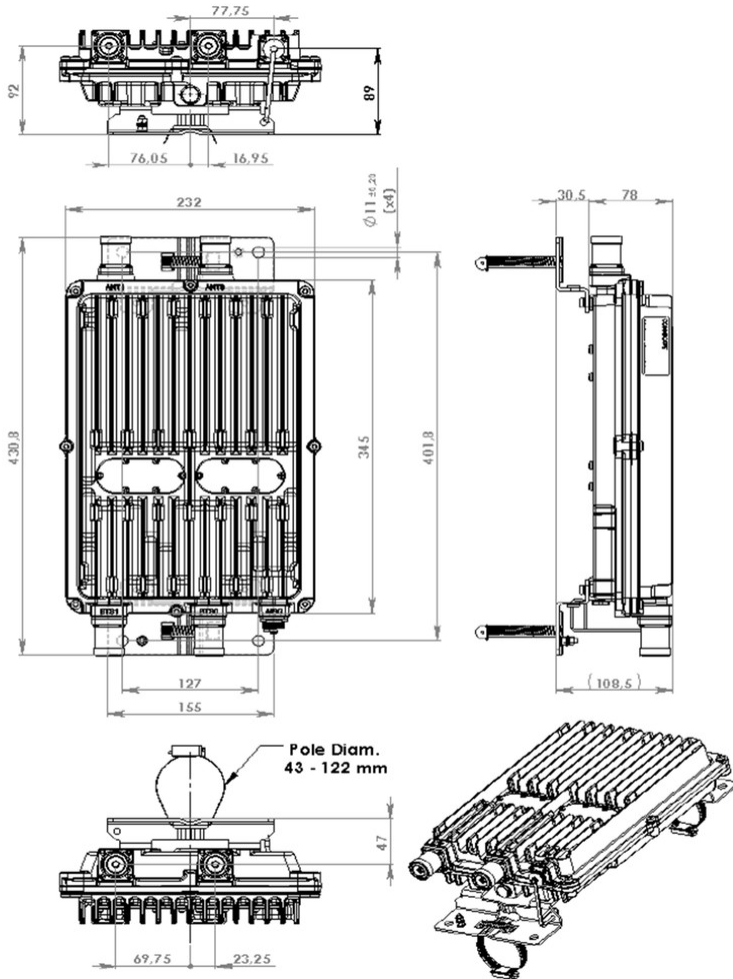
Depth 232 mm | 9.134 in

Ground Screw Diameter 8 mm | 0.315 in

Mounting Pipe Diameter Range 42.6–122 mm

E15S07P13

Outline Drawing



Electrical Specifications

License Band, LNA TDD 2300

Electrical Specifications, dc Power/Alarm

Lightning Surge Current 10 kA

Lightning Surge Current Waveform 8/20 waveform

Electrical Specifications, AISG

AISG Connector 8-pin DIN Female

AISG Connector Standard IEC 60130-9

Default Protocol AISG 2.0

E15S07P13

Protocol	AISG 1.1 AISG 2.0
Voltage, AISG Mode	10–30 Vdc

Electrical Specifications

Sub-module	1 2
Branch	1
Port Designation	ANT
License Band	TDD 2300, LNA
Return Loss, typical, dB	18
Return Loss - Bypass Mode, typical, dB	16

Electrical Specifications Rx (Uplink)

Frequency Range, MHz	2300–2400
Bandwidth, MHz	100
Gain, nominal, dB	13
Gain Tolerance, dB	±1
Noise Figure, typical, dB	1.7
Group Delay Variation, maximum, ns	40
Group Delay Variation Bandwidth, MHz	20
Total Group Delay, maximum, ns	60
Output IP3, minimum, dBm	12
Return Loss, minimum, dB	15
Insertion Loss - Bypass Mode, typical, dB	0.8

Electrical Specifications Tx (Downlink)

Frequency Range, MHz	2300–2400
Bandwidth, MHz	100
Insertion Loss, typical, dB	1.2
Group Delay Variation, maximum, ns	30
Group Delay Variation Bandwidth, MHz	20
Total Group Delay, maximum,	50

E15S07P13

ns

Return Loss, minimum, dB 16

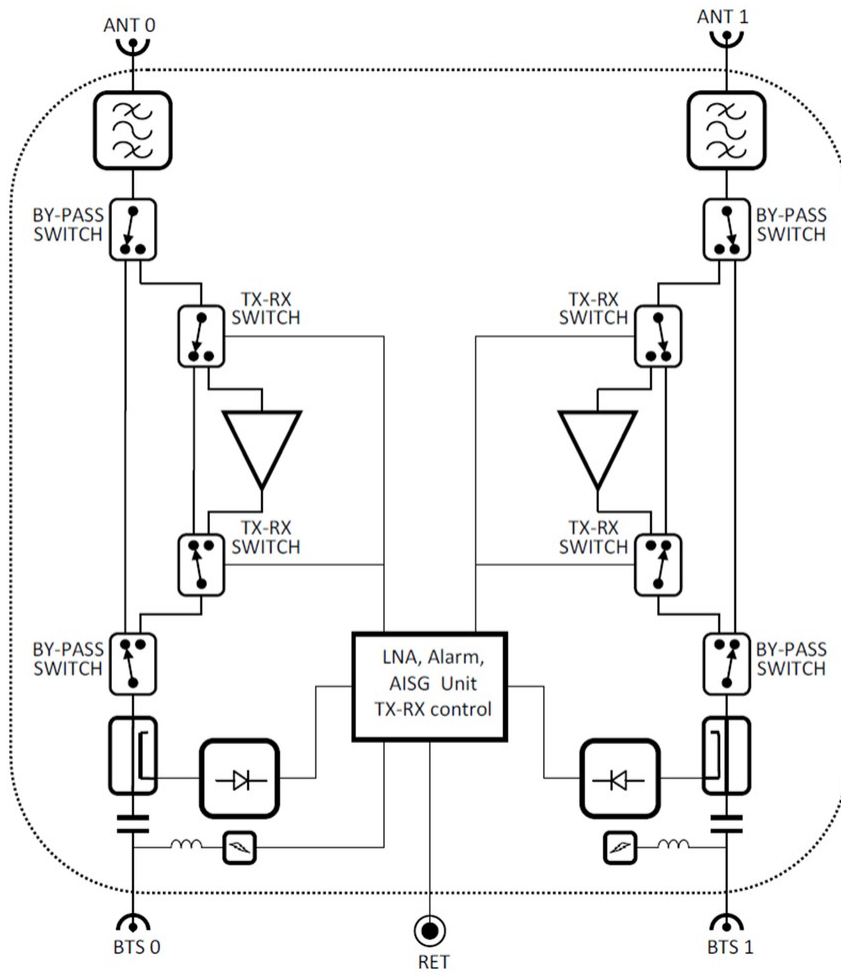
Return Loss, typical, dB 18

**Input Power, RMS, maximum,
W** 50

**Input Power, PEP, maximum,
W** 500

E15S07P13

Block Diagram



Material Specifications

Finish Painted

Environmental Specifications

Operating Temperature -40 °C to +65 °C (-40 °F to +149 °F)

Relative Humidity Up to 100%

Corrosion Test Method IEC 60068-2-11, 30 days

Ingress Protection Test Method IEC 60529:2001, IP67

Packaging and Weights

E15S07P13

Included	Mounting hardware
Volume	2.7 L
Weight, net	7.1 kg 15.653 lb

* Footnotes

License Band, LNA License Bands that have RxUplink amplification