

E15S08P92

Tower Mounted Amplifier, Dual UMTS 2100 with AISG



This product will be discontinued on: December 30, 2024

Replaced By:

E14R00P07

Tower Mounted Amplifier, Dual UMTS 2100 with AISG, 4.3-10 connectors

Product Classification

Product Type 1-BTS:1-ANT (Uniplex) | Tower mounted amplifier

General Specifications

Color Gray

Modularity 2-Twin

Mounting Pole | Wall

Mounting Pipe Hardware Band clamps (2)

RF Connector Interface 7-16 DIN Female

RF Connector Interface Body Style Long neck

Dimensions

Height 188 mm | 7.402 in

Width 170 mm | 6.693 in

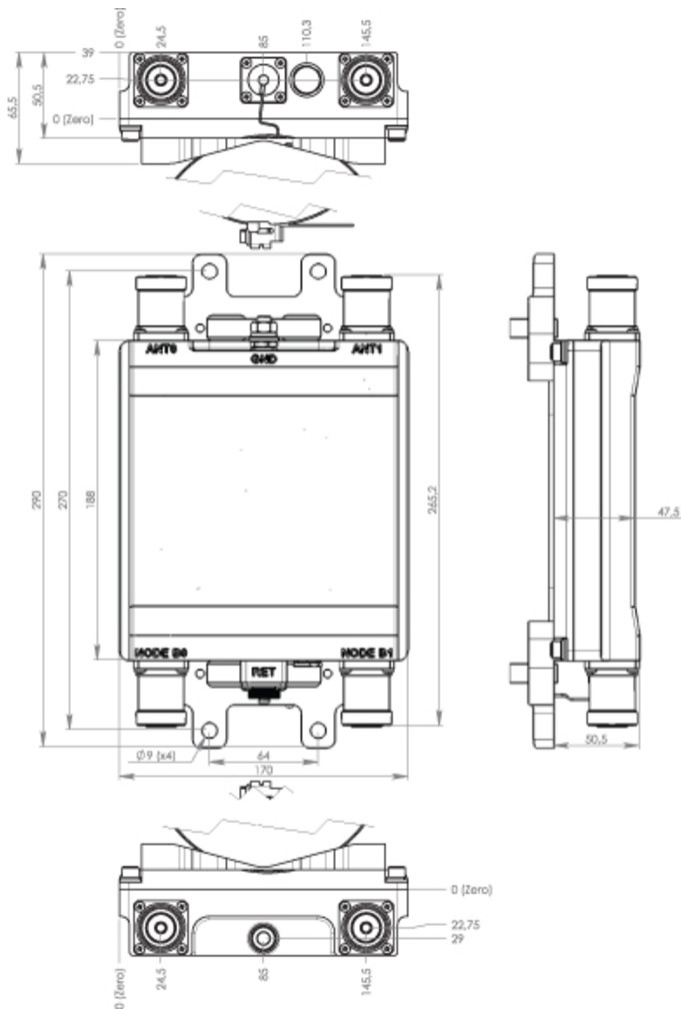
Depth 50 mm | 1.969 in

Ground Screw Diameter 8 mm | 0.315 in

Mounting Pipe Diameter Range 40–160 mm

E15S08P92

Outline Drawing



Electrical Specifications

License Band, LNA IMT 2100

Electrical Specifications, dc Power/Alarm

dc Switching/Redundancy	Yes
Lightning Surge Current	10 kA
Lightning Surge Current Waveform	8/20 waveform
Operating Current at Voltage	100 mA @ 12 V
Operating Current Tolerance	± 15 mA
Voltage	7–30 Vdc

E15S08P92

Alarm Current, CWA Mode 250 mA ±15 mA

Electrical Specifications, AISG

AISG Connector 8-pin DIN Female
AISG Connector Standard IEC 60130-9
Protocol AISG 1.1
Voltage, AISG Mode 10–30 Vdc

Electrical Specifications

Sub-module 1 | 2
Branch 1
Port Designation ANT
License Band IMT 2100, LNA
Return Loss - Bypass Mode, typical, dB 19
TX Band Rejection, minimum, dB 70

Electrical Specifications Rx (Uplink)

Frequency Range, MHz 1965–1980
Bandwidth, MHz 15
Gain, nominal, dB 12
Gain Tolerance, dB ±1
Noise Figure, maximum, dB 1.4
Noise Figure, typical, dB 1.2
Group Delay Variation, maximum, ns 10
Group Delay Variation Bandwidth, MHz 5
Total Group Delay, maximum, ns 90
Output IP3, minimum, dBm 24
Return Loss, minimum, dB 18
Insertion Loss - Bypass Mode, typical, dB 3.9

Electrical Specifications Tx (Downlink)

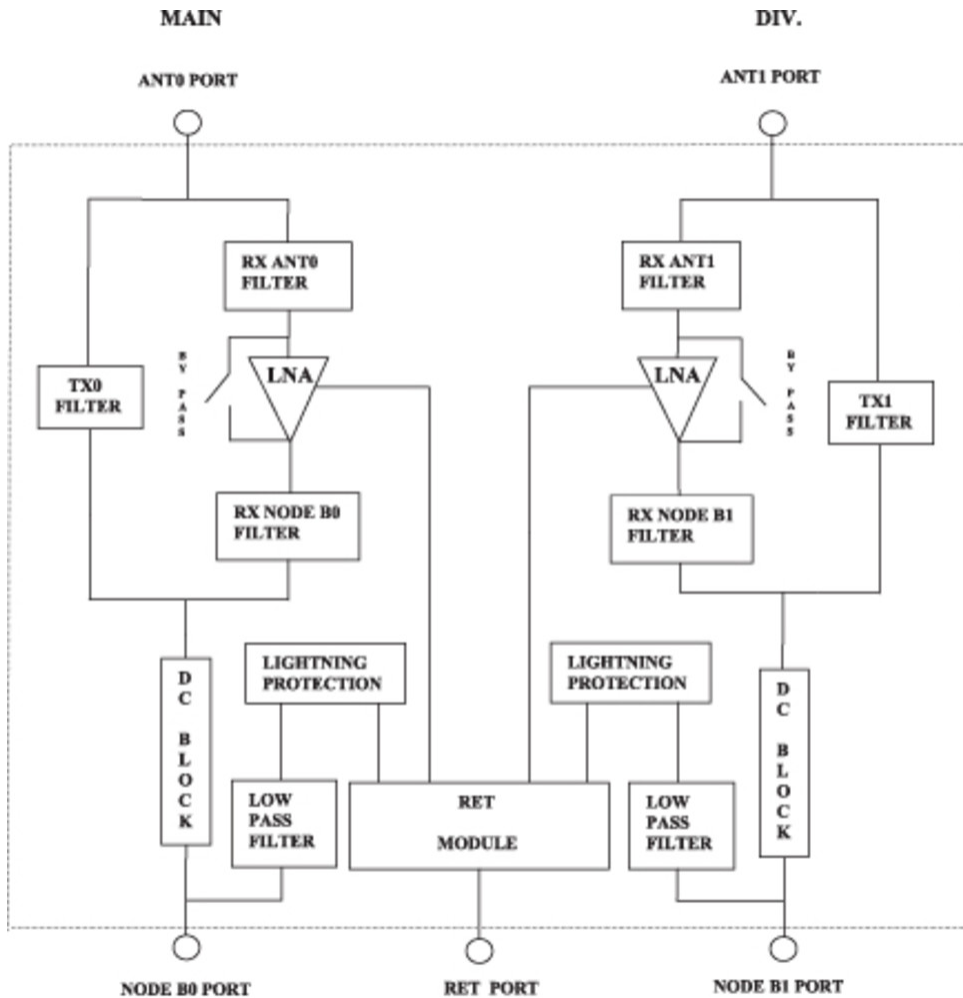
Frequency Range, MHz 2110–2170

E15S08P92

Bandwidth, MHz	60
Insertion Loss, maximum, dB	0.4
Insertion Loss Ripple, maximum, dB	0.1
Group Delay Variation, maximum, ns	3
Group Delay Variation Bandwidth, MHz	5
Total Group Delay, maximum, ns	18
Return Loss, minimum, dB	18
RX Band Rejection, minimum, dB	60
Input Power, RMS, maximum, W	160
Input Power, PEP, maximum, W	2500

E15S08P92

Block Diagram



Material Specifications

Finish Painted

Environmental Specifications

Operating Temperature -40 °C to +65 °C (-40 °F to +149 °F)

Relative Humidity Up to 100%

Corrosion Test Method IEC 60068-2-11, 30 days

Ingress Protection Test Method IEC 60529:2001, IP67

Packaging and Weights

E15S08P92

Included	Mounting hardware
Volume	1.6 L
Weight, net	3.3 kg 7.275 lb

Regulatory Compliance/Certifications

Agency	Classification
ISO 9001:2015	Designed, manufactured and/or distributed under this quality management system

* Footnotes

License Band, LNA	License Bands that have RxUplink amplification
--------------------------	--