

E15S09P40



Tower Mounted Amplifier, Twin PCS A-G with Variable Gain AISG

Product Classification

Product Type 1-BTS:1-ANT (Uniplex) | Tower mounted amplifier

General Specifications

Color Gray

Modularity 2-Twin

Mounting Pole | Wall

Mounting Pipe Hardware Band clamps (2)

RF Connector Interface 7-16 DIN Female

RF Connector Interface Body Style Long neck

Dimensions

Height 260 mm | 10.236 in

Width 170 mm | 6.693 in

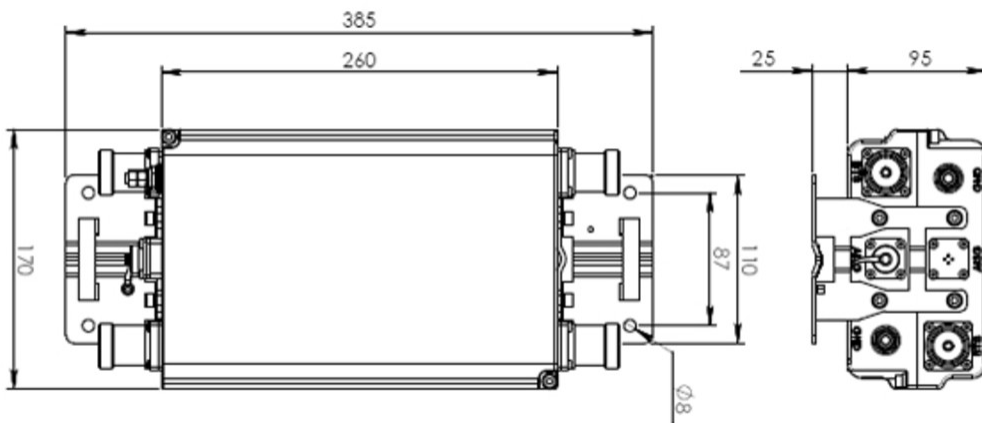
Depth 94 mm | 3.701 in

Ground Screw Diameter 6 mm | 0.236 in

Mounting Pipe Diameter Range 42.6–122 mm

Outline Drawing

E15S09P40



Electrical Specifications

License Band, LNA PCS 1900

Electrical Specifications, dc Power/Alarm

dc Switching/Redundancy Yes

Lightning Surge Current 10 kA

Lightning Surge Current Waveform 8/20 waveform

Operating Current at Voltage 135 mA @ 12 V

Operating Current Tolerance ± 10 mA

Voltage 7–30 Vdc

Voltage, CWA Mode 10–18 Vdc

Alarm Current, CWA Mode 185 mA ± 10 mA

Electrical Specifications, AISG

AISG Connector 8-pin DIN Female

AISG Connector Standard IEC 60130-9

Default Protocol AISG 2.0

Protocol AISG 1.1 | AISG 2.0

Voltage, AISG Mode 10–30 Vdc

Electrical Specifications

Sub-module 1 | 2

Branch 1

Port Designation ANT

E15S09P40

License Band PCS 1900, LNA

Electrical Specifications Rx (Uplink)

Frequency Range, MHz	1850–1915
Bandwidth, MHz	65
Gain, nominal, dB	12
Gain Tolerance, dB	±1
Gain Adjustment Range, dB	12-4
Gain Adjustment Range Increments, dB	1
Noise Figure, maximum, dB	2
Noise Figure at 8 dB, maximum, dB	2.4
Noise Figure at 4 dB, maximum, dB	3
Noise Figure, typical, dB	1.3
Noise Figure at 8 dB, typical, dB	1.6
Noise Figure at 4 dB, typical, dB	2.3
Group Delay Variation, maximum, ns	50
Group Delay Variation Bandwidth, MHz	5
Total Group Delay, maximum, ns	150
Output IP3, minimum, dBm	26
Output IP3 at 8 dB, minimum, dBm	22
Output IP3 at 4 dB, minimum, dBm	18
Return Loss, minimum, dB	18

Electrical Specifications Tx (Downlink)

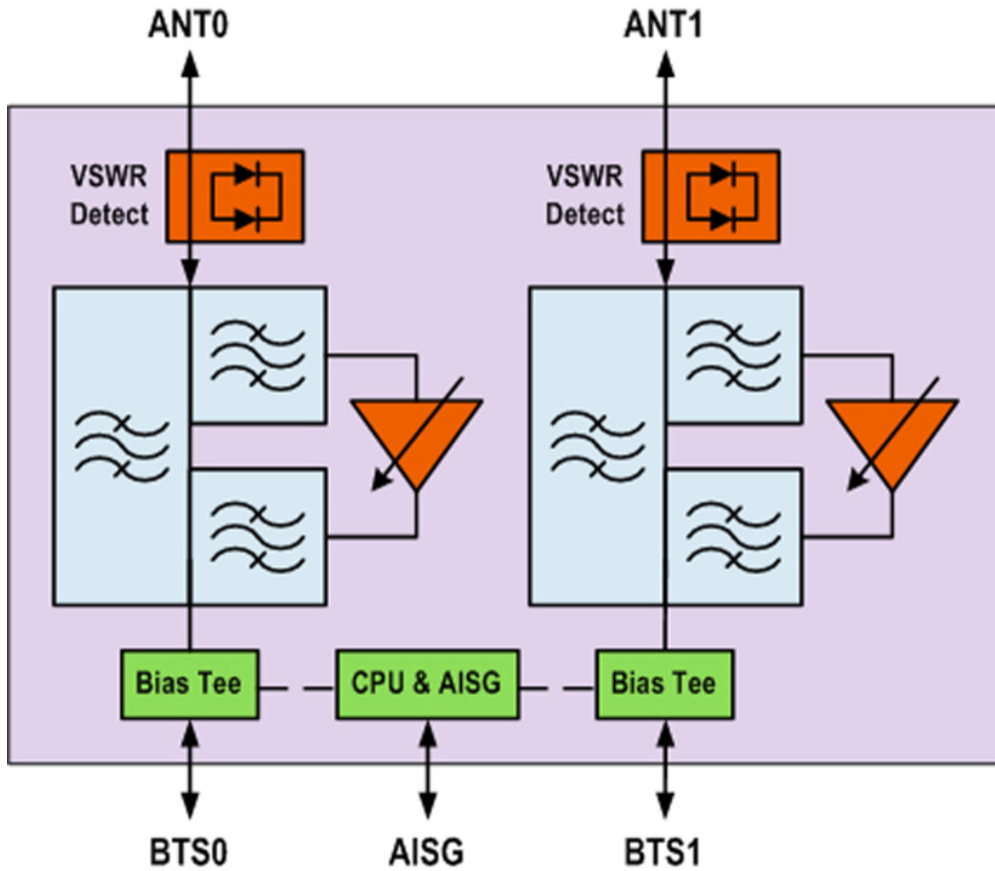
Frequency Range, MHz	1930–1995
Bandwidth, MHz	65
Insertion Loss, maximum, dB	0.7
Group Delay Variation, maximum, ns	20

E15S09P40

Group Delay Variation Bandwidth, MHz	5
Total Group Delay, maximum, ns	50
Return Loss, minimum, dB	18
Input Power, RMS, maximum, W	500
Input Power, PEP, maximum, W	5000
3rd Order PIM, maximum, dBc	-153
3rd Order PIM Test Method	Two +43 dBm carriers
VSWR Alarm Threshold, dB	9.54
VSWR Alarm Threshold Tolerance, dB	±2

E15S09P40

Block Diagram



Material Specifications

Finish Painted

Environmental Specifications

Operating Temperature -40 °C to +65 °C (-40 °F to +149 °F)

Relative Humidity Up to 100%

Corrosion Test Method IEC 60068-2-11, 30 days

Ingress Protection Test Method IEC 60529:2001, IP67

Packaging and Weights

Included Mounting hardware

Volume 4.1 L

Weight, net 6.6 kg | 14.55 lb

E15S09P40

Regulatory Compliance/Certifications

Agency

ISO 9001:2015

Classification

Designed, manufactured and/or distributed under this quality management system

* Footnotes

License Band, LNA

License Bands that have RxUplink amplification