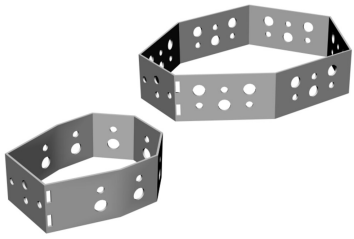


CS-BL-2



Cluster Support Bracket, large version, 2 in to 5 in OD round member attachment

Product Classification

Product Type Cluster Support Bracket

General Specifications

Cable Runs, quantity 18

Hole, quantity 18

Mounting Cluster support

Dimensions

Height 127 mm | 5 in

Width 381 mm | 15 in

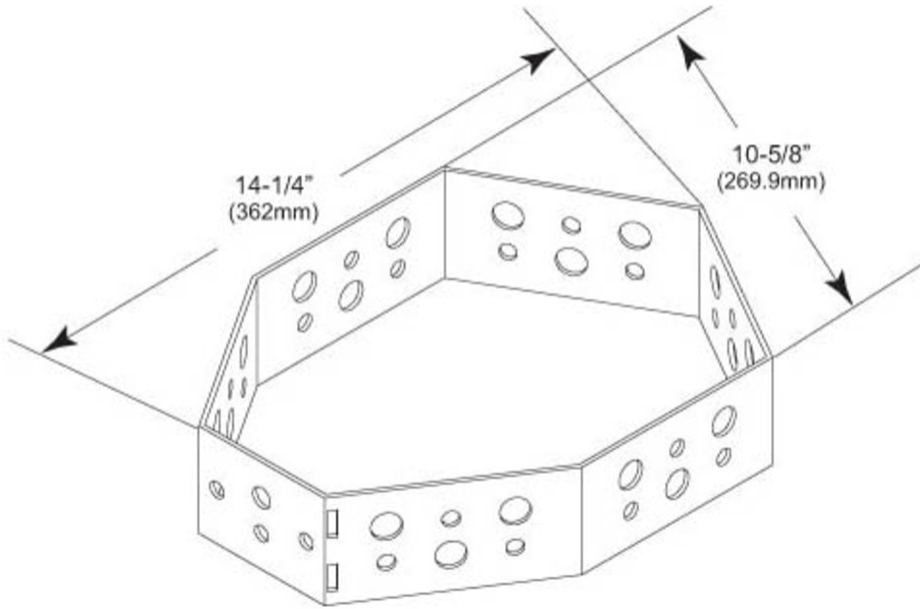
Length 279.4 mm | 11 in

Pipe Outer Diameter 60.96 mm | 2.4 in

Hole Size 3/4 in | 7/16 in

CS-BL-2

Outline Drawing



Material Specifications

Material Type Hot dip galvanized steel

Packaging and Weights

Included Brackets
Packaging quantity 1
Weight, net 2.3 kg | 5.071 lb

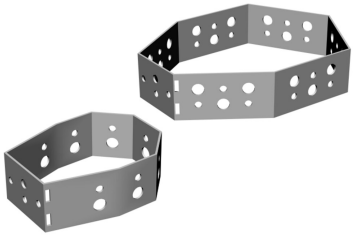
Regulatory Compliance/Certifications

Agency	Classification
ISO 9001:2015	Designed, manufactured and/or distributed under this quality management system

Included Products

- CS-BL – Cluster Support Bracket, large version, angle member attachment
- GUB-4240 – Galvanized U-bolt Assembly, 1/2 in x 2-1/2 in x 4 in

CS-BL



Cluster Support Bracket, large version, angle member attachment

Product Classification

Product Type Cluster Support Bracket

General Specifications

Cable Runs, quantity 18

Hole, quantity 18

Mounting Cluster support

Dimensions

Height 127 mm | 5 in

Width 381 mm | 15 in

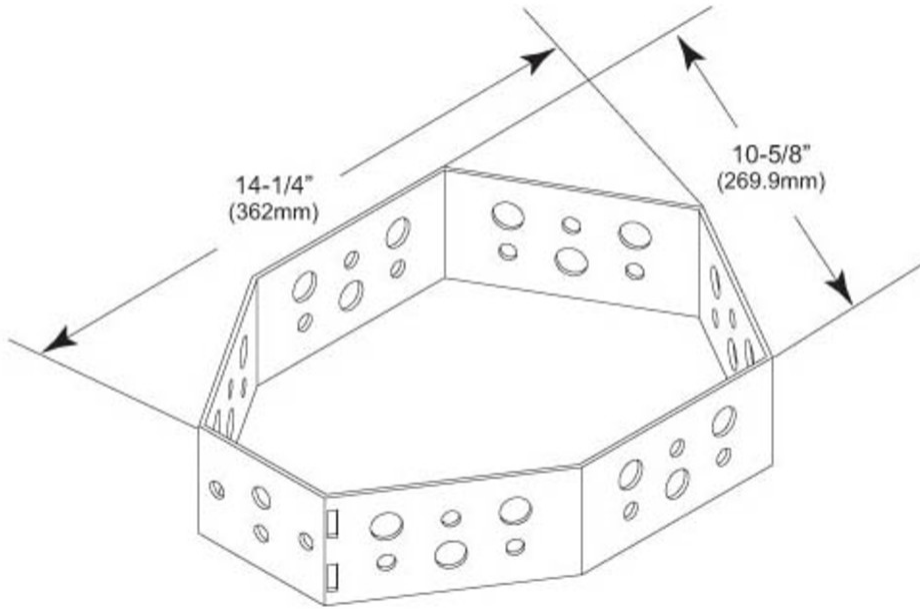
Length 279.4 mm | 11 in

Pipe Outer Diameter 60.96 mm | 2.4 in

Hole Size 3/4 in | 7/16 in

CS-BL

Outline Drawing



Material Specifications

Material Type Hot dip galvanized steel

Packaging and Weights

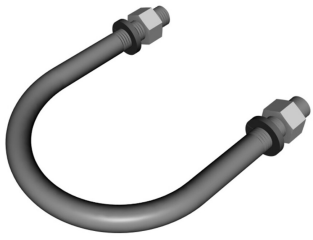
Included Brackets
Packaging quantity 1
Weight, net 1.8 kg | 3.968 lb

Regulatory Compliance/Certifications

Agency	Classification
CHINA-ROHS	Below maximum concentration value
ISO 9001:2015	Designed, manufactured and/or distributed under this quality management system
REACH-SVHC	Compliant as per SVHC revision on www.commscope.com/ProductCompliance
ROHS	Compliant
UK-ROHS	Compliant



GUB-4240



Galvanized U-bolt Assembly, 1/2 in x 2-1/2 in x 4 in

Product Classification

Product Type U-bolt

Dimensions

Height 101.6 mm | 4 in

Width 25.4 mm | 1 in

Length 101.6 mm | 4 in

Pipe Outer Diameter 12.7 mm | 0.5 in

Throat Dimension 63.5 mm | 2.5 in

Material Specifications

Material Type Hot dip galvanized steel

Packaging and Weights

Included Nuts | U-bolts | Washers

Packaging quantity 1

Weight, net 0.3 kg | 0.661 lb

Regulatory Compliance/Certifications

Agency	Classification
CHINA-ROHS	Below maximum concentration value
ISO 9001:2015	Designed, manufactured and/or distributed under this quality management system
REACH-SVHC	Compliant as per SVHC revision on www.commscope.com/ProductCompliance
ROHS	Compliant
UK-ROHS	Compliant

