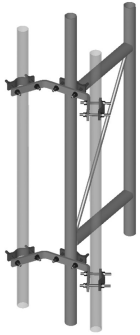


# DA-C200

---



Double Antenna Clamp

## Product Classification

**Product Type** Stand-off mount

## General Specifications

**Mounting** Round member, 38.1–88.9 mm (1-1/2 in to 3-1/2 in) OD

## Dimensions

**Height** 50.8 mm | 2 in

**Width** 457.2 mm | 18 in

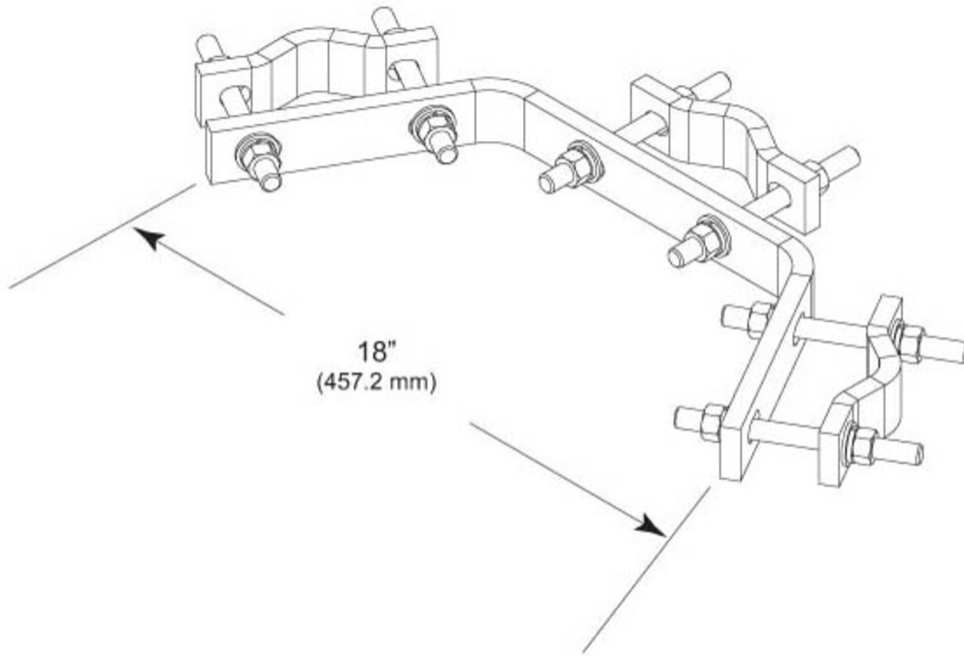
**Length** 177.8 mm | 7 in

**Mounting Diameter, maximum** 88.9 mm | 3.5 in

**Mounting Diameter, minimum** 38.1 mm | 1.5 in

# DA-C200

## Outline Drawing



## Material Specifications

**Material Type** Hot dip galvanized steel

## Packaging and Weights

**Included** Clamp assembly  
**Packaging quantity** 2  
**Weight, net** 10.4 kg | 22.928 lb

## Regulatory Compliance/Certifications

Agency	Classification
ISO 9001:2015	Designed, manufactured and/or distributed under this quality management system