

GPS Antenna Mount

Product Classification

Product Type Wall mount kit

General Specifications

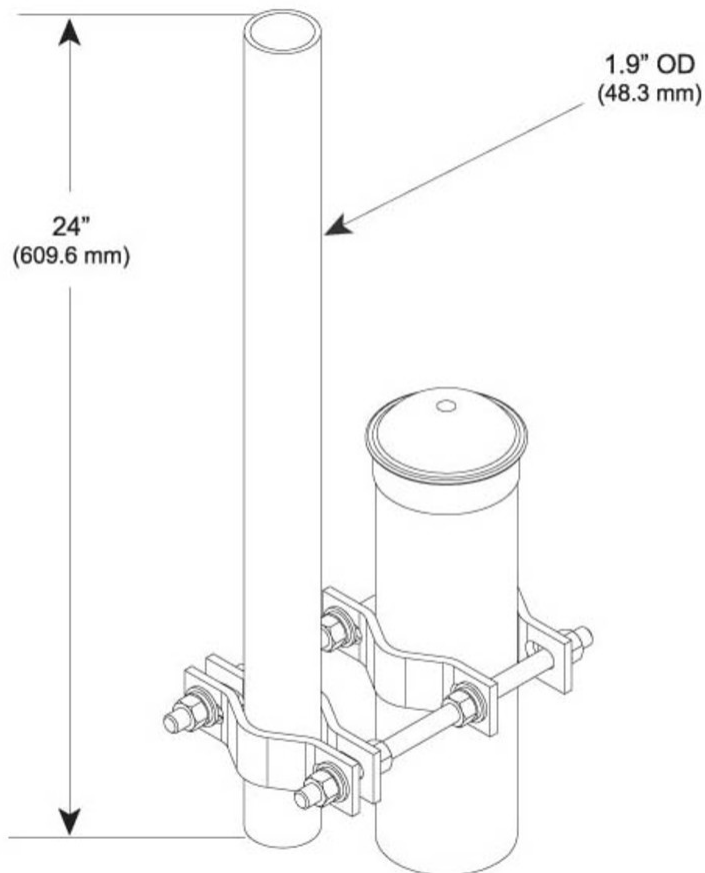
Application Pipe-to-pipe
Mounting Pipe, 38.1–88.9 mm (1-1/2 in to 3-1/2 in) OD
Pipe, quantity 1

Dimensions

Height 101.6 mm | 4 in
Width 101.6 mm | 4 in
Length 609.6 mm | 24 in
Pipe Length 609.6 mm | 24 in
Pipe Outer Diameter 48.26 mm | 1.9 in

GP-S24

Outline Drawing



Material Specifications

Material Type Hot dip galvanized steel

Packaging and Weights

Included Clamp halves | Hardware | Pipe

Packaging quantity 1

Weight, net 4.5 kg | 9.921 lb

Regulatory Compliance/Certifications

Agency **Classification**

GP-S24

CHINA-ROHS	Above maximum concentration value
ISO 9001:2015	Designed, manufactured and/or distributed under this quality management system
ROHS	Compliant/Exempted
UK-ROHS	Compliant/Exempted

