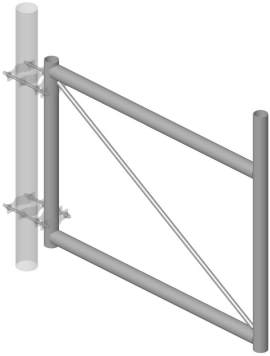


HS-400



Stand-Off Bracket, heavy duty, 48 in, includes pipe

Product Classification

Product Type Stand-off mount

General Specifications

Note One 72 in x 8 in panel antenna per sector

Pipe, quantity 1

Dimensions

Height 1,066.8 mm | 42 in

Width 76.2 mm | 3 in

Length 1,219.2 mm | 48 in

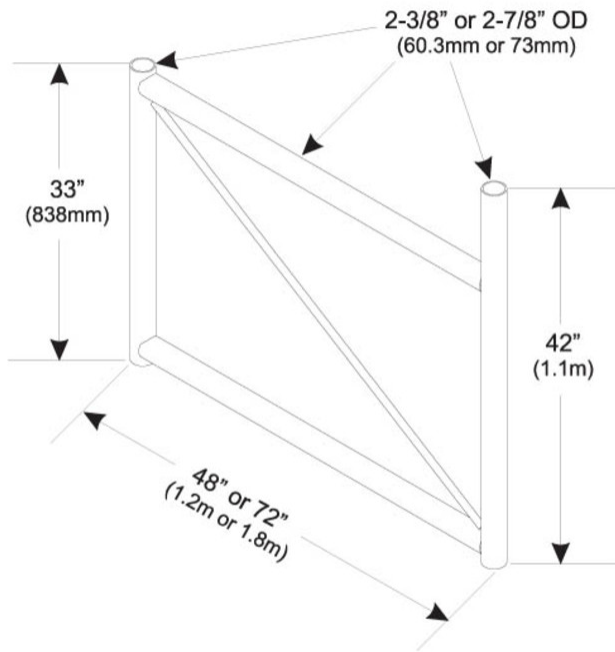
Pipe Length 1,066.8 mm | 42 in

Pipe Outer Diameter 60.96 mm | 2.4 in

Stand-off Distance 1,219.2 mm | 48 in

HS-400

Outline Drawing



Material Specifications

Material Type Hot dip galvanized steel

Mechanical Specifications

Wind Rating 120 mph (BWS) at 150 ft AGL

Wind Rating Test Method TIA/EIA-222

Packaging and Weights

Included Stand-off

Packaging quantity 1

HS-400

Weight, net

25.3 kg | 55.777 lb

Regulatory Compliance/Certifications

Agency**Classification**

CHINA-ROHS

Below maximum concentration value

ISO 9001:2015

Designed, manufactured and/or distributed under this quality management system

REACH-SVHC

Compliant as per SVHC revision on www.commscope.com/ProductCompliance

ROHS

Compliant

UK-ROHS

Compliant



* Footnotes

Wind Rating

BWS—Base Wind Speed; FBC—Florida Building Code