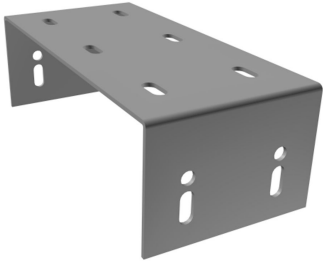


MT-F503



Straight/Hinged Splice

Product Classification

Product Type Splices and splicing kits

General Specifications

Application Waveguide bridge kit, 12 in

Mounting Solid waveguide bridge

Dimensions

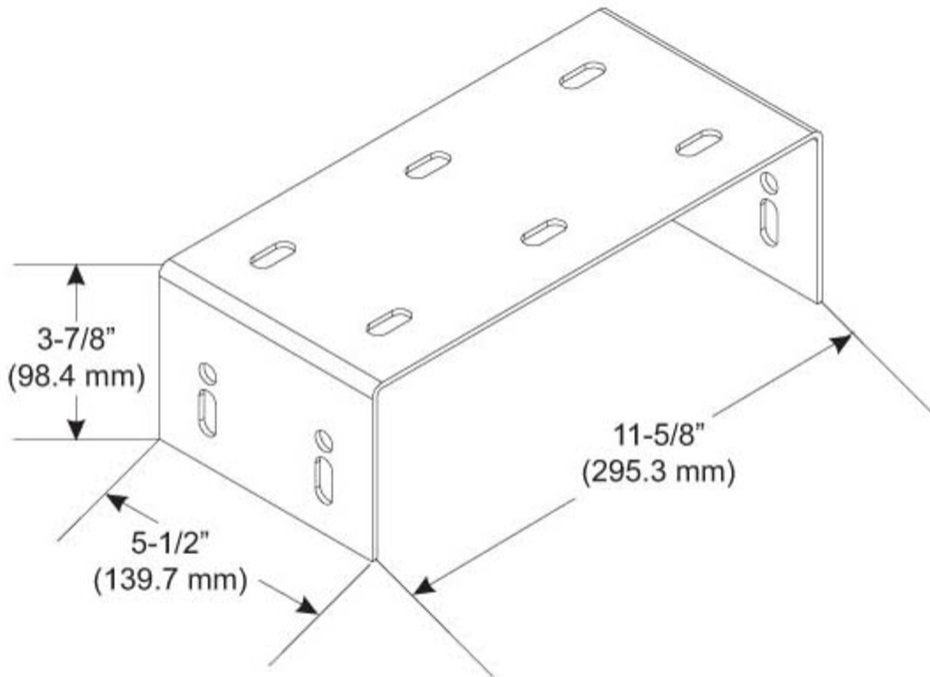
Height 127 mm | 5 in

Width 304.8 mm | 12 in

Length 152.4 mm | 6 in

MT-F503

Outline Drawing



Material Specifications

Material Type Hot dip galvanized steel

Packaging and Weights

Included Hardware | Splices

Packaging quantity 1

Weight, net 1.8 kg | 3.968 lb

Regulatory Compliance/Certifications

Agency

ISO 9001:2015

Classification

Designed, manufactured and/or distributed under this quality management system