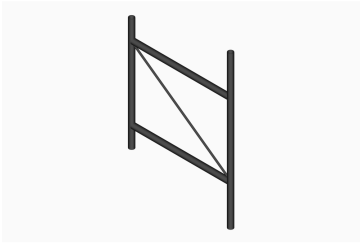


P-300



Panel Antenna Stand-Off Bracket, 36 in

Product Classification

Product Type Stand-off mount

General Specifications

Note One 72 in x 8 in panel antenna per sector

Dimensions

Height 1778 mm | 70 in

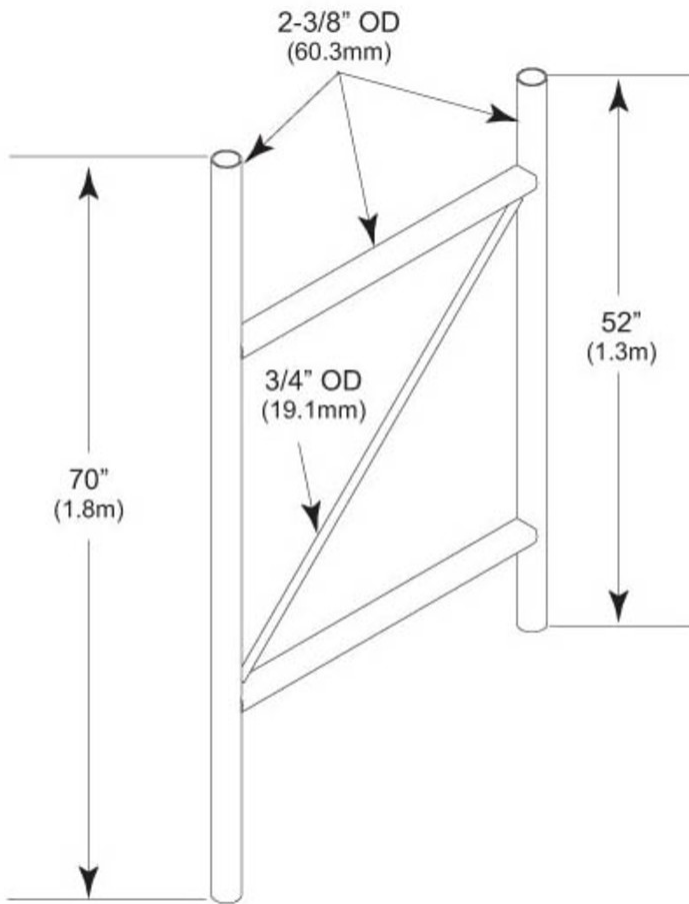
Width 76.2 mm | 3 in

Length 914.4 mm | 36 in

Stand-off Distance 914.4 mm | 36 in

P-300

Outline Drawing



Material Specifications

Material Type Hot dip galvanized steel

Mechanical Specifications

Wind Rating 120 mph (BWS) at 150 ft AGL

Wind Rating Test Method TIA/EIA-222

Packaging and Weights

Included Stand-off

Packaging quantity 1

P-300

Weight, net

28.1 kg | 61.95 lb

Regulatory Compliance/Certifications

Agency**Classification**

CHINA-ROHS

Below maximum concentration value

ISO 9001:2015

Designed, manufactured and/or distributed under this quality management system

REACH-SVHC

Compliant as per SVHC revision on www.commscope.com/ProductCompliance

ROHS

Compliant

UK-ROHS

Compliant



* Footnotes

Wind Rating

BWS—Base Wind Speed; FBC—Florida Building Code