

# PT-R104

---



Power Telecommunications Rack, four 80 in rungs, 13 ft 4 in burial posts

## Product Classification

**Product Type** Telecommunications rack

## General Specifications

**Pipe, quantity** 2

## Dimensions

**Height** 127 mm | 5 in

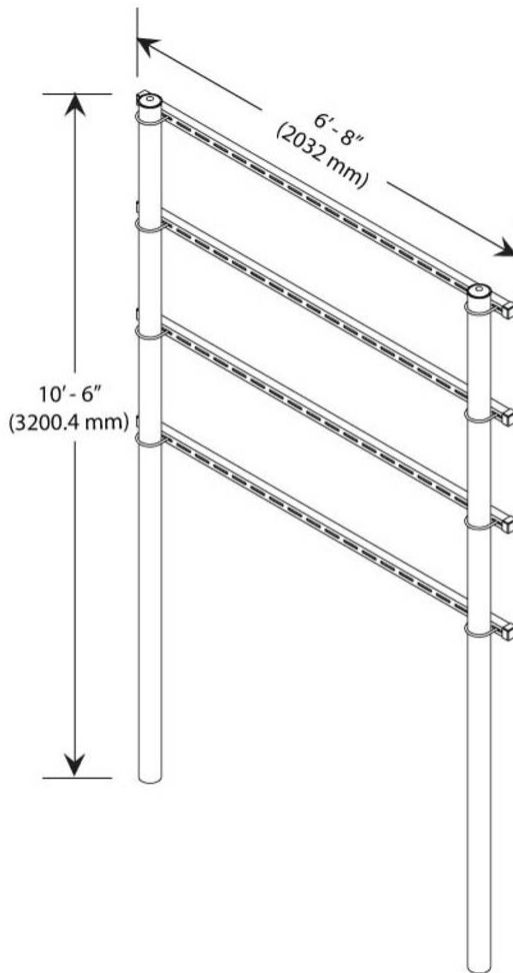
**Width** 2032 mm | 80 in

**Length** 4064 mm | 160 in

**Pipe Length** 4064 mm | 160 in

# PT-R104

## Outline Drawing



## Material Specifications

**Material Type** Hot dip galvanized steel

## Packaging and Weights

**Included** Hardware | Legs | Unistrut

**Packaging quantity** 1

**Weight, net** 75 kg | 165.346 lb

## Regulatory Compliance/Certifications

Agency	Classification
--------	----------------

# PT-R104

---

CHINA-ROHS	Above maximum concentration value
ISO 9001:2015	Designed, manufactured and/or distributed under this quality management system
ROHS	Compliant/Exempted
UK-ROHS	Compliant/Exempted

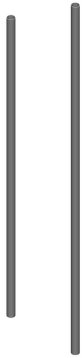


## Included Products

- MF-130 – Direct Burial Pipe Column, 13 ft 4 in

# MF-130

---



Direct Burial Pipe Column, 13 ft 4 in

## Product Classification

**Product Type** Pipe column

## General Specifications

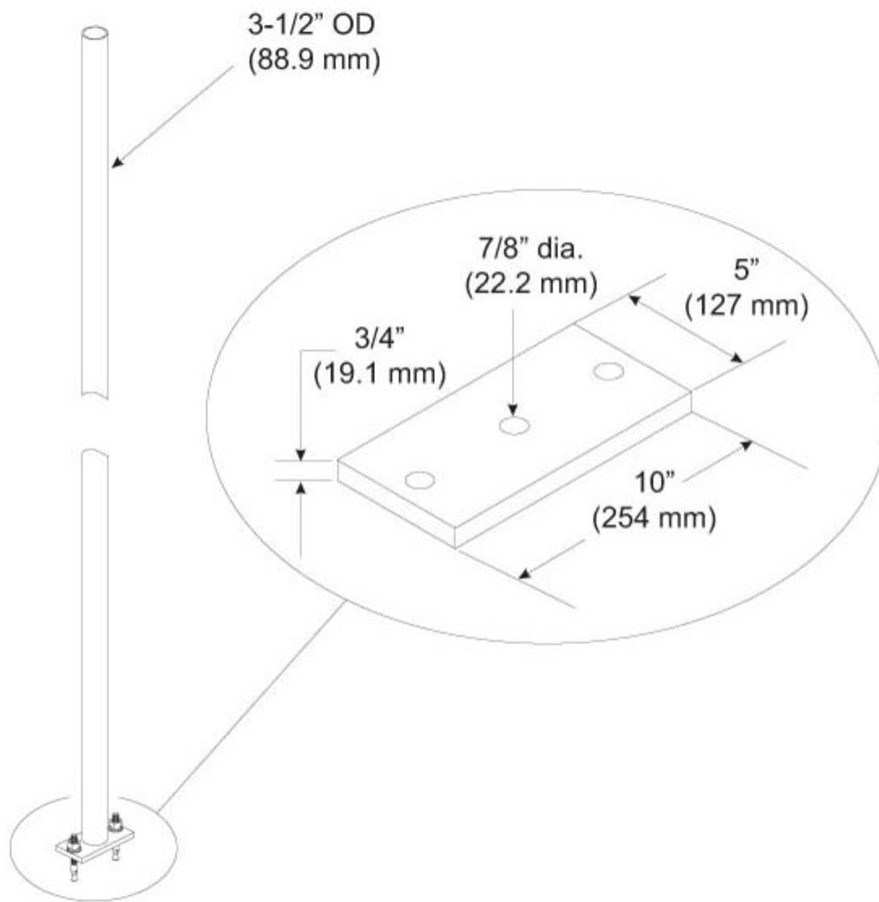
**Application** Direct burial  
**Mounting** Waveguide bridge support bracket  
**Pipe, quantity** 1

## Dimensions

**Height** 4064 mm | 160 in  
**Width** 88.9 mm | 3.5 in  
**Length** 88.9 mm | 3.5 in  
**Pipe Length** 4,053.84 mm | 159.6 in  
**Pipe Outer Diameter** 88.9 mm | 3.5 in

# MF-130

## Outline Drawing



## Material Specifications

**Material Type** Hot dip galvanized steel

## Packaging and Weights

**Included** Anchors | Pipe

**Packaging quantity** 1

**Weight, net** 45.8 kg | 100.972 lb

## Regulatory Compliance/Certifications

**Agency** **Classification**

# MF-130

---

CHINA-ROHS	Above maximum concentration value
ISO 9001:2015	Designed, manufactured and/or distributed under this quality management system
ROHS	Compliant/Exempted
UK-ROHS	Compliant/Exempted

