

# PT-R104

---



Power Telecommunications Rack, four 80 in rungs, 13 ft 4 in burial posts

## Product Classification

**Product Type** Telecommunications rack

## General Specifications

**Pipe, quantity** 2

## Dimensions

**Height** 127 mm | 5 in

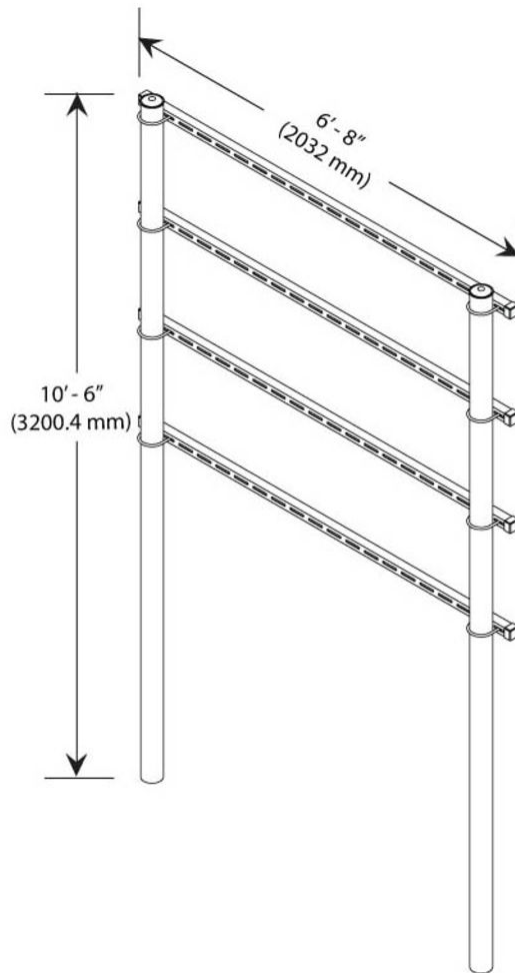
**Width** 2032 mm | 80 in

**Length** 4064 mm | 160 in

**Pipe Length** 4064 mm | 160 in

# PT-R104

## Outline Drawing



## Material Specifications

**Material Type** Hot dip galvanized steel

## Packaging and Weights

**Included** Hardware | Legs | Unistrut

**Packaging quantity** 1

**Weight, net** 75 kg | 165.346 lb

## Regulatory Compliance/Certifications

| Agency | Classification |
|--------|----------------|
|--------|----------------|

# PT-R104

---

|               |  |
|---------------|--|
| CHINA-ROHS    | Above maximum concentration value  |
| ISO 9001:2015 | Designed, manufactured and/or distributed under this quality management system |
| ROHS          | Compliant/Exempted   |
| UK-ROHS       | Compliant/Exempted   |



## Included Products

- MF-130 – Direct Burial Pipe Column, 13 ft 4 in