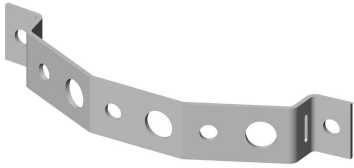


RM-USBG-3



Universal Round Member Support Bracket for three coaxial cable runs

Product Classification

Product Type Round Member Support Bracket

General Specifications

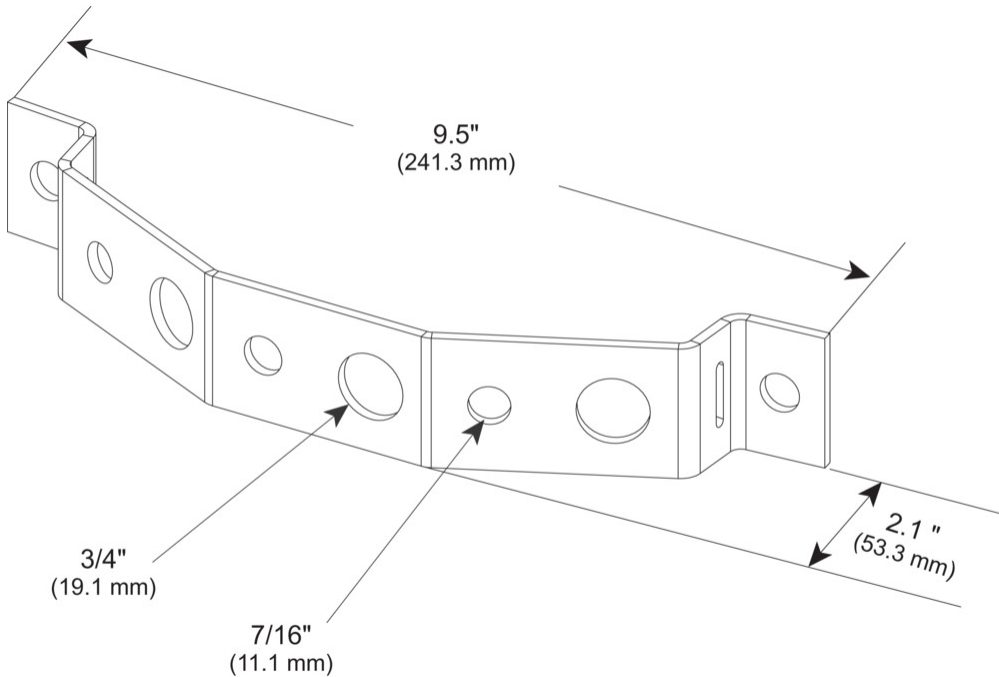
Cable Runs, quantity 3
Hole, quantity 3
Mounting Round member

Dimensions

Height 50.8 mm | 2 in
Width 254 mm | 10 in
Length 152.4 mm | 6 in
Hole Size 3/4 in | 7/16 in

RM-USBG-3

Outline Drawing



Material Specifications

Material Type Hot dip galvanized steel

Packaging and Weights

Included Brackets

Packaging quantity 10

Weight, net 2.3 kg | 5.071 lb

Regulatory Compliance/Certifications

Agency	Classification
CHINA-ROHS	Above maximum concentration value
REACH-SVHC	Compliant as per SVHC revision on www.commscope.com/ProductCompliance
ROHS	Compliant/Exempted
UK-ROHS	Compliant/Exempted

