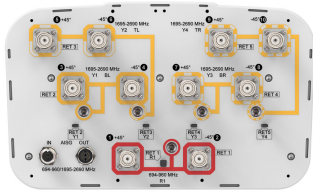


# RV4PX310R-V2H



10-port sector antenna, 2x 694–960 and 8x 1695–2690 MHz, 65° HPBW, 5x RET with manual override. Bands cascaded SRET.

- Integrated Internal Remote Electrical Tilt (RET), with independent control of electrical tilt with manual override on all arrays
- All Internal RET actuators are connected in “Cascaded SRET” configuration

## General Specifications

<b>Antenna Type</b>	Sector
<b>Band</b>	Multiband
<b>Color</b>	Light Gray (RAL 7035)
<b>Grounding Type</b>	RF connector inner conductor and body grounded to reflector and mounting bracket
<b>Performance Note</b>	Outdoor usage   Wind loading figures are validated by wind tunnel measurements described in white paper WP-112534-EN
<b>Radome Material</b>	Fiberglass, UV resistant
<b>Reflector Material</b>	Aluminum
<b>RF Connector Interface</b>	4.3-10 Female
<b>RF Connector Location</b>	Bottom
<b>RF Connector Quantity, high band</b>	8
<b>RF Connector Quantity, low band</b>	2
<b>RF Connector Quantity, total</b>	10

## Remote Electrical Tilt (RET) Information

<b>RET Interface</b>	8-pin DIN Female   8-pin DIN Male
<b>RET Interface, quantity</b>	1 female   1 male
<b>Input Voltage</b>	10–30 Vdc
<b>Internal RET</b>	High band (4)   Low band (1)
<b>Power Consumption, idle state, maximum</b>	2 W
<b>Power Consumption, normal conditions, maximum</b>	13 W
<b>Protocol</b>	3GPP/AISG 2.0 (Single RET)

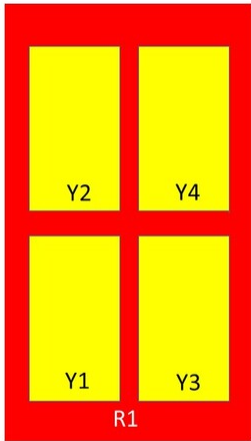
## Dimensions

<b>Width</b>	350 mm   13.78 in
--------------	-------------------

# RV4PX310R-V2H

**Depth** 208 mm | 8.189 in  
**Length** 2533 mm | 99.724 in

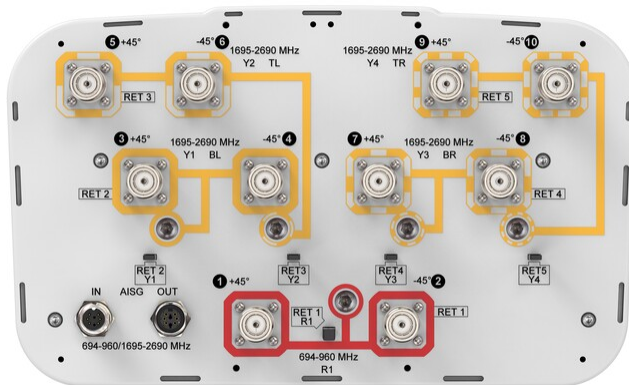
## Array Layout



Array	Freq (MHz)	Conns	RET (SRET)	AISG RET UID
R1	694-960	1-2	1	ARxxxxxxxxxxxxxxxxx1
Y1	1695-2690	3-4	2	ARxxxxxxxxxxxxxxxxx2
Y2	1695-2690	5-6	3	ARxxxxxxxxxxxxxxxxx3
Y3	1695-2690	7-8	4	ARxxxxxxxxxxxxxxxxx4
Y4	1695-2690	9-10	5	ARxxxxxxxxxxxxxxxxx5

Left Right  
Bottom (Sizes of colored boxes are not true depictions of array sizes)

## Port Configuration



## Electrical Specifications

**Impedance** 50 ohm  
**Operating Frequency Band** 1695 – 2690 MHz | 694 – 960 MHz  
**Polarization** ±45°  
**Total Input Power, maximum** 1,000 W @ 50 °C

# RV4PX310R-V2H

## Electrical Specifications

Frequency Band, MHz	694–798	790–894	890–960	1695–1880	1850–1990	1920–2200	2300–2690
Gain, dBi	16	16.6	16.9	16.8	16.9	17.2	18
Beamwidth, Horizontal, degrees	69	68	66	63	62	63	61
Beamwidth, Vertical, degrees	9.9	8.7	8.1	8.3	7.7	7.1	6
Beam Tilt, degrees	0–10	0–10	0–10	0–10	0–10	0–10	0–10
USLS (First Lobe), dB	18	18	18	18	18	18	18
Null Fill, dB	-22	-22	-22	-22	-22	-22	-22
Front-to-Back Ratio at 180°, dB	31	34	33	32	39	37	38
Isolation, Cross Polarization, dB	28	28	28	30	30	30	30
Isolation, Inter-band, dB	30	30	30	30	30	30	30
VSWR   Return loss, dB	1.5 14.0	1.5 14.0	1.5 14.0	1.5 14.0	1.5 14.0	1.5 14.0	1.5 14.0
PIM, 3rd Order, 2 x 20 W, dBc	-150	-150	-150	-150	-150	-150	-150
Input Power per Port at 50°C, maximum, watts	200	200	200	175	175	175	175

## Electrical Specifications, BASTA

Frequency Band, MHz	694–798	790–894	890–960	1695–1880	1850–1990	1920–2200	2300–2690
Gain by all Beam Tilts, average, dBi	15.8	16.4	16.8	16.3	16.6	16.9	17.6
Gain by all Beam Tilts Tolerance, dB	±0.4	±0.3	±0.2	±0.5	±0.4	±0.4	±0.5
Gain by Beam Tilt, average, dBi	0° 15.9 5° 15.8 10° 15.8	0° 16.4 5° 16.4 10° 16.4	0° 16.7 5° 16.7 10° 16.8	0° 16.3 5° 16.3 10° 16.4	0° 16.6 5° 16.6 10° 16.7	0° 16.9 5° 17.0 10° 16.9	0° 17.6 5° 17.6 10° 17.4
Beamwidth, Horizontal Tolerance, degrees	±1.3	±0.7	±1.4	±2.3	±1.8	±2.7	±5.2
Beamwidth, Vertical Tolerance, degrees	±0.7	±0.5	±0.3	±0.5	±0.3	±0.5	±0.4
USLS, beampeak to 20° above beampeak, dB	18	18	18	18	18	18	18
Front-to-Back Total Power at 180° ± 30°, dB	26	27	27	26	29	27	29
CPR at Boresight, dB	16	18	17	17	21	19	18
CPR at Sector, dB	12	13	16	13	12	12	10

# RV4PX310R-V2H

## Mechanical Specifications

<b>Wind Loading @ Velocity, frontal</b>	445.0 N @ 150 km/h (100.0 lbf @ 150 km/h)
<b>Wind Loading @ Velocity, lateral</b>	379.0 N @ 150 km/h (85.2 lbf @ 150 km/h)
<b>Wind Loading @ Velocity, maximum</b>	942.0 N @ 150 km/h (211.8 lbf @ 150 km/h)
<b>Wind Loading @ Velocity, rear</b>	472.0 N @ 150 km/h (106.1 lbf @ 150 km/h)
<b>Wind Speed, maximum</b>	241 km/h (150 mph)

## Packaging and Weights

<b>Width, packed</b>	456 mm   17.953 in
<b>Depth, packed</b>	357 mm   14.055 in
<b>Length, packed</b>	2834 mm   111.575 in
<b>Weight, gross</b>	55.3 kg   121.915 lb
<b>Weight, net</b>	38.3 kg   84.437 lb

## Regulatory Compliance/Certifications

<b>Agency</b>	<b>Classification</b>
CHINA-ROHS	Above maximum concentration value
ISO 9001:2015	Designed, manufactured and/or distributed under this quality management system
REACH-SVHC	Compliant as per SVHC revision on <a href="http://www.commscope.com/ProductCompliance">www.commscope.com/ProductCompliance</a>
ROHS	Compliant/Exempted
UK-ROHS	Compliant/Exempted



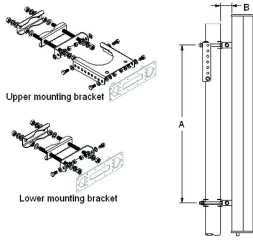
## Included Products

T-029-GL-E	-	Adjustable Tilt Pipe Mounting Kit for 2.362"-4.5" (60-115mm) OD round members for panel antennas. Includes 2 clamp sets.
------------	---	--

## \* Footnotes

<b>Performance Note</b>	Severe environmental conditions may degrade optimum performance
-------------------------	---

# T-029-GL-E



Adjustable Tilt Pipe Mounting Kit for 2.362"-4.5" (60-115mm) OD round members for panel antennas. Includes 2 clamp sets.

## Product Classification

**Product Type** Adjustable tilt mounting kit

## General Specifications

**Application** Outdoor

**Color** Silver

## Dimensions

**Compatible Length, maximum** 2850 mm | 112.205 in

**Compatible Length, minimum** 1500 mm | 59.055 in

**Compatible Diameter, maximum** 115 mm | 4.528 in

**Compatible Diameter, minimum** 60 mm | 2.362 in

**Antenna-to-Pipe Distance** 85 mm | 3.346 in

**Bracket-to-Bracket Distance** 1400 mm | 55.118 in

**Weight, net** 6 kg | 13.228 lb

## Material Specifications

**Material Type** Galvanized steel

## Mechanical Specifications

**Mechanical Tilt** 0°-8°

## Packaging and Weights

**Included** Brackets | Hardware

**Packaging quantity** 1

## Regulatory Compliance/Certifications

Agency	Classification
CE	Compliant with the relevant CE product directives

# T-029-GL-E

---

CHINA-ROHS	Below maximum concentration value
ISO 9001:2015	Designed, manufactured and/or distributed under this quality management system
REACH-SVHC	Compliant as per SVHC revision on <a href="http://www.commscope.com/ProductCompliance">www.commscope.com/ProductCompliance</a>
ROHS	Compliant
UK-ROHS	Compliant

