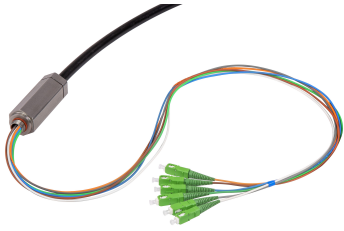


NA-A300-1AS



Fiber Optic Node Service Cable Assembly, 6 SC/APC Connectors with 36in Breakout, 6F Dielectric Cable

- Node Service Cable Assemblies are factory-terminated for use in node installations
- Environmentally sealed and tested
- Designed for fast installation between splicing in a closure transitioning to a node

OBSOLETE

This product was discontinued on: August 17, 2023

Product Classification

Regional Availability	Asia Australia/New Zealand EMEA Europe Latin America North America
Product Type	Fiber node service cable assembly

General Specifications

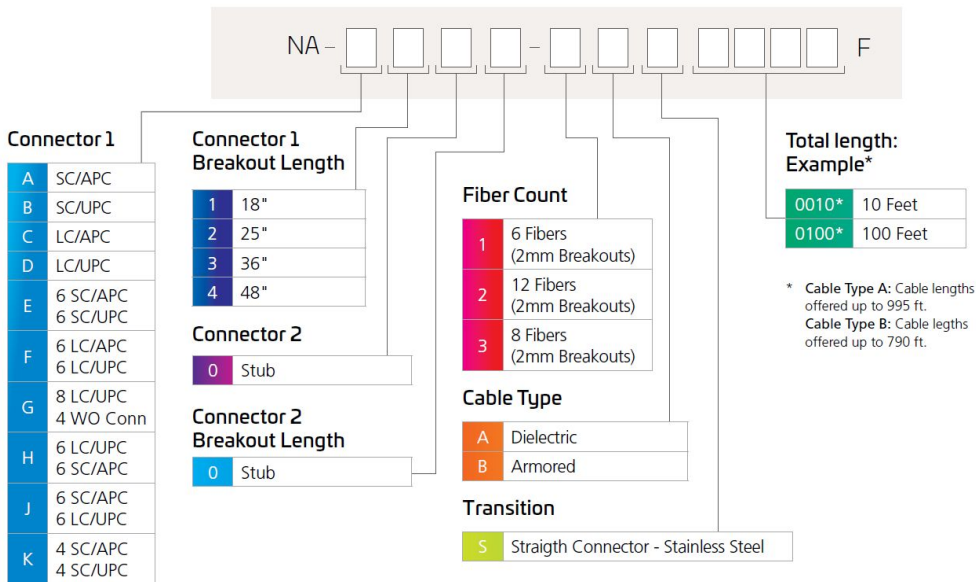
Breakout Direction	Straight
Breakout Option	Feed-through housing connector
Cable Color	Black
Cable Type	Dielectric - Round - Loose Tube
Construction Type	Breakout, armored
Interface, Connectors side A	SC/APC
Interface, Connectors side B	Unterminated
Color, SC/APC boot	Green
Color, SC/APC connector	Green
Quantity, SC/APC connectors	6
Total Fibers, quantity	6

Dimensions

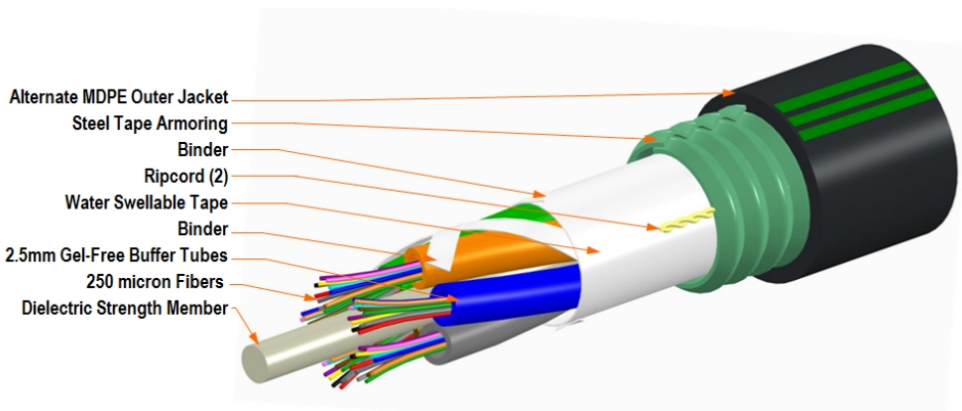
Breakout Length, connector A	914.4 mm 36 in
Cable Assembly Length Range (m)	1 – 300
Cable Assembly Length Range (ft)	1 – 995
Cable Outer Diameter	11.5 mm (0.45 in)

NA-A300-1AS

Ordering Tree



Representative Image



Material Specifications

Jacket Material PE

Mechanical Specifications

Minimum Bend Radius, loaded 439.4 mm | 17.299 in

Minimum Bend Radius, unloaded 115 mm | 4.528 in

Tensile Load, long term, maximum 800 N | 179.847 lbf

NA-A300-1AS

Tensile Load, short term, maximum	2700 N 606.984 lbf
Cable Crush Resistance, maximum	44 N/mm 251.246 lb/in

Optical Specifications

Fiber Mode	Singlemode
Fiber Type	G.652.D and G.657.A1
Insertion Loss, maximum, SC/APC connectors	0.4 dB
Return Loss, minimum, SC/APC connectors	65 dB

Environmental Specifications

Operating Temperature	-40 °C to +70 °C (-40 °F to +158 °F)
Storage Temperature	-40 °C to +75 °C (-40 °F to +167 °F)
Environmental Space	Outdoor, buried
Jacket UV Resistance	UV stabilized
Qualification Standards	IEC 60529:2001, IP68 Telcordia GR-326

Packaging and Weights

Cable weight	110 kg/km 73.917 lb/kft
Packaging quantity	1

Regulatory Compliance/Certifications

Agency	Classification
ISO 9001:2015	Designed, manufactured and/or distributed under this quality management system

