

FHBD-H040004B



Fiber Optic Drop Cable Assembly, 4 Fiber, Hardened Full Size with 4 ft breakout to stub, Flat Toneable Cable

- Hardened connectors are factory-terminated and environmentally sealed for use in optical drop cable deployments
- Hardened drop cables incorporate hardened connector technology that is designed to withstand the rugged outside plant environment
- Hardened drop cables simplify installation and maintenance by reducing splicing requirements in the distribution portion of the network

Product Classification

Regional Availability	Asia Australia/New Zealand EMEA Latin America North America
Portfolio	CommScope®
Product Type	Fiber drop cable assembly
Product Series	FHBD

General Specifications

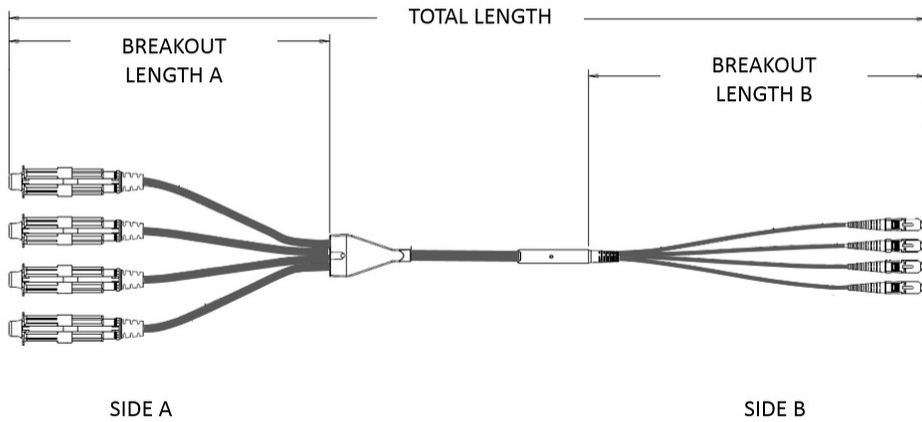
Cable Type	Toneable - Flat
Color, boot A	Black
Color, connector A	Green
Connector A, quantity	4
Interface, Connector A	Hardened full-size SC/APC
Interface Feature, connector A	Male
Interface, Connector B	Unterminated
Jacket Color	Black
Total Fibers, quantity	4
Transmission Standards	IEC 61753-1 IEC 61754-4 IEC 61755

Dimensions

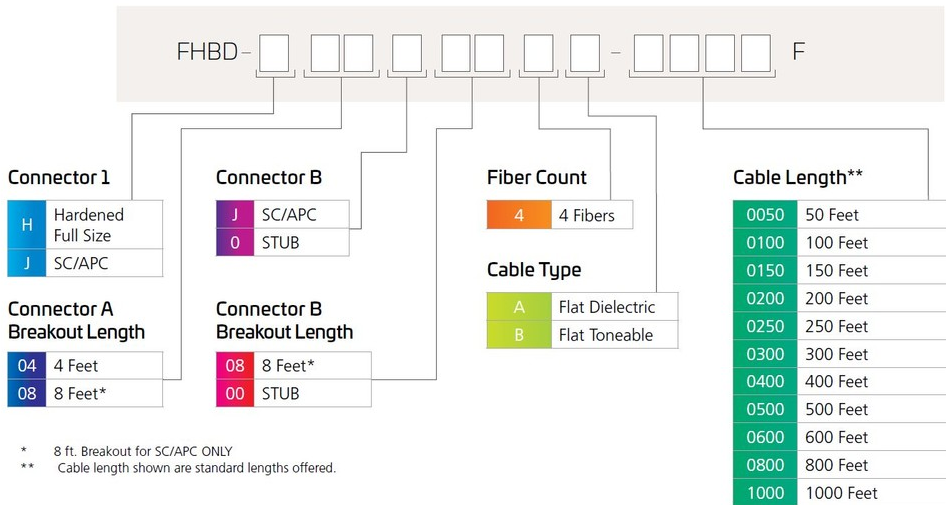
Breakout Length, connector A	1,219.2 mm 48 in
Cable Assembly Length Range (ft)	50 – 1000
Cable Outer Diameter	4.3 x 8.0 mm (0.17 x 0.31 in)

Outline Drawing

FHBD-H040004B

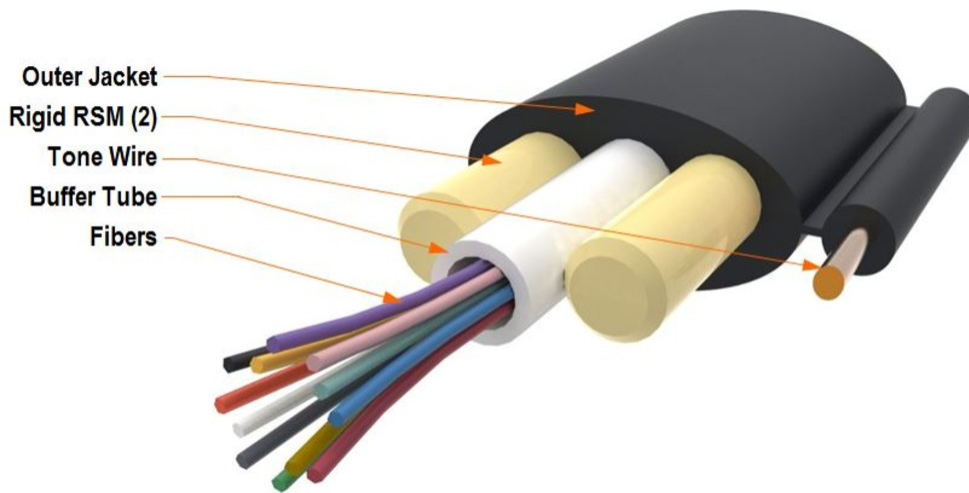


Ordering Tree



Representative Image

FHBD-H040004B



Mechanical Specifications

Minimum Bend Radius, loaded	86 mm 3.386 in
Minimum Bend Radius, unloaded	81 mm 3.189 in
Tensile Load, long term, maximum	400 N 89.924 lbf
Tensile Load, short term, maximum	1334 N 299.895 lbf

Optical Specifications

Fiber Mode	Singlemode
Fiber Type	G.652.D
Insertion Loss, maximum, connector A	0.4 dB
Return Loss, minimum, connector A	65 dB

Environmental Specifications

Operating Temperature	-40 °C to +70 °C (-40 °F to +158 °F)
Storage Temperature	-40 °C to +75 °C (-40 °F to +167 °F)
Environmental Space	Outdoor
Jacket UV Resistance	UV stabilized
Qualification Standards	NEMA type 6, 10 ft waterhead Telcordia GR-20 Telcordia GR-3120 Telcordia GR-326

Packaging and Weights

Cable weight	36 kg/km 24.191 lb/kft
---------------------	--------------------------

FHBD-H040004B

Packaging quantity

1

Regulatory Compliance/Certifications

Agency

Classification

CHINA-ROHS

Below maximum concentration value

ROHS

Compliant

