

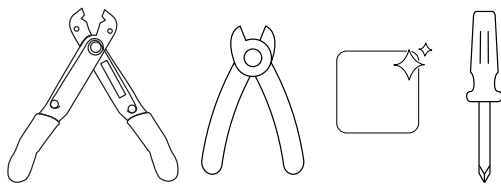
NOVUX™ Fiber Optic System NVX-GRND-GRND-NN-C10: Grounding kit for CC 100

Applicable for CC 100

1 Cable diameter range

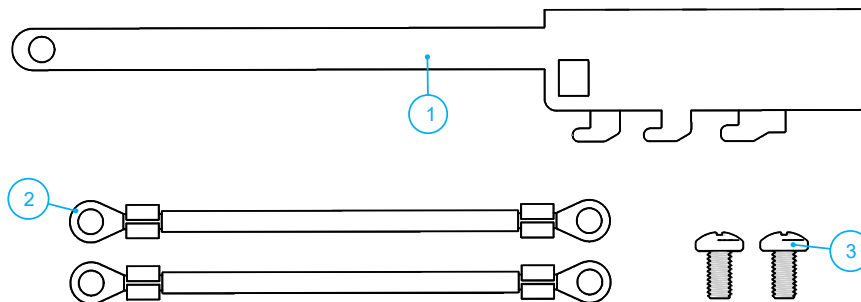
	mm	inches
Round cable	8 - 14	0.32- 0.55

2 Tools



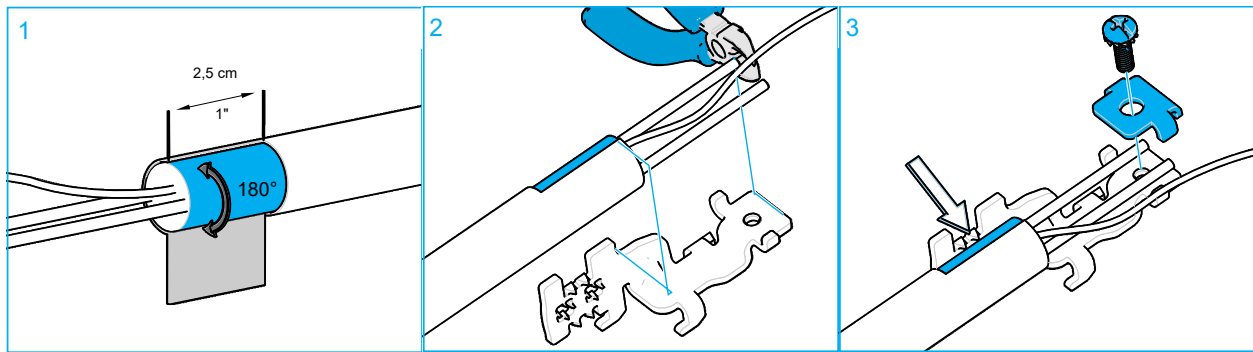
- Cable stripping and cleaning tools
- Phillips screw driver

3 Kit contents




N°	Description	Qty
1	Grounding bar	1
2	Grounding cable	2
3	Screws	2

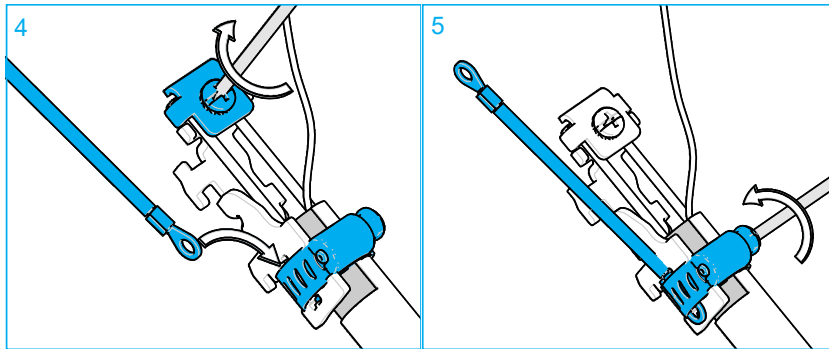
4 Prepare feeder cable




- 1 For cable with shielding, remove a section of the outer sheath 180° around the cable over a length of 2,5 cm (1 Inch) measured from the end of the outer sheath in order to expose the cable shielding.
- 2 Verify the length of the strength member(s) as indicated or measure 4 +/-0.5 cm (1.6 +/- 0.2 Inches) and cut to length. Place the cable on the bracket with the jacket end aligned with the bracket edge as shown in figure 2 and the strength members aligned with the top of the bracket.

 **Note:** Make sure the sheath opening is positioned against the T-shape of the bracket.

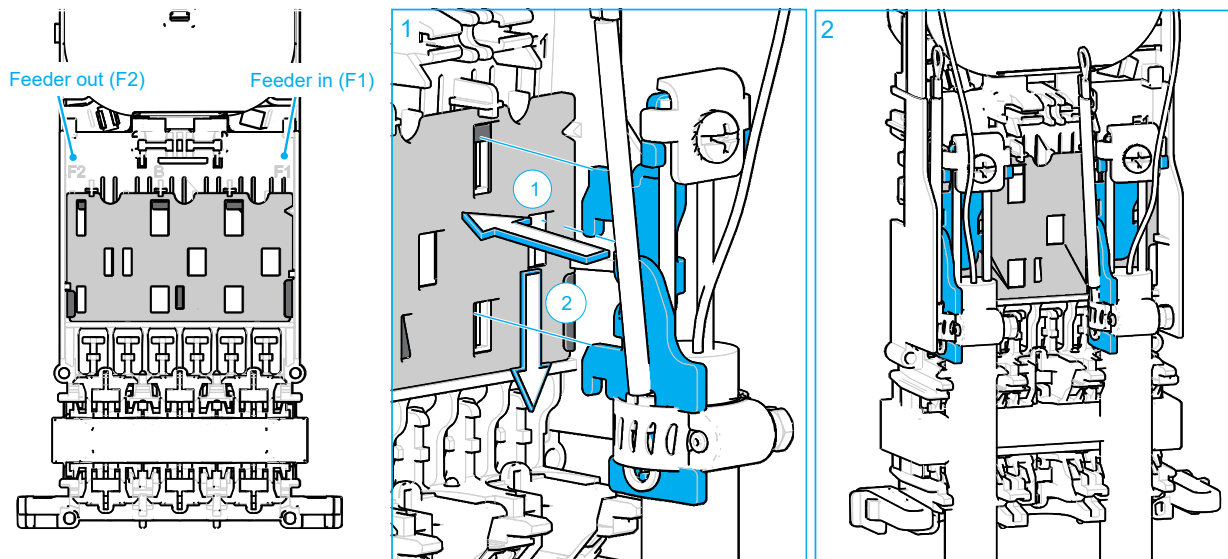
- 3 Route the subunits aside, install the metal plate and bolt with washer and secure the bolt.



- 4 Place the grounding cable between the bracket and the hose clamp.
- 5 Secure this assembly with the hose clamp. Make sure the head of the hose clamp is positioned against the bracket.

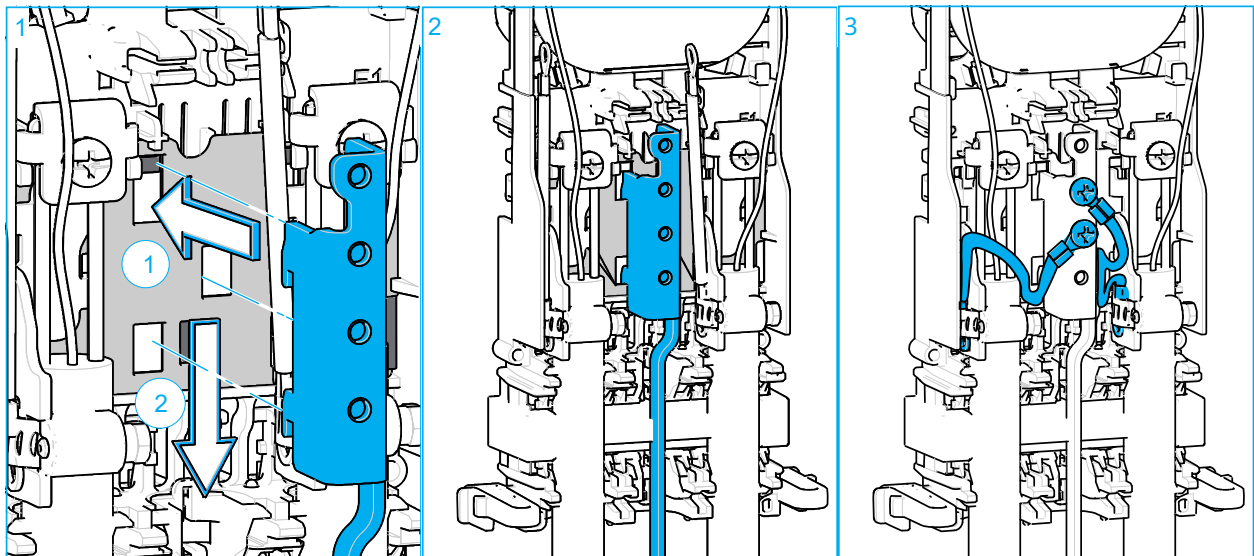
 **Note:** Don't use the self amalgamating tape.

5 Install feeder cable



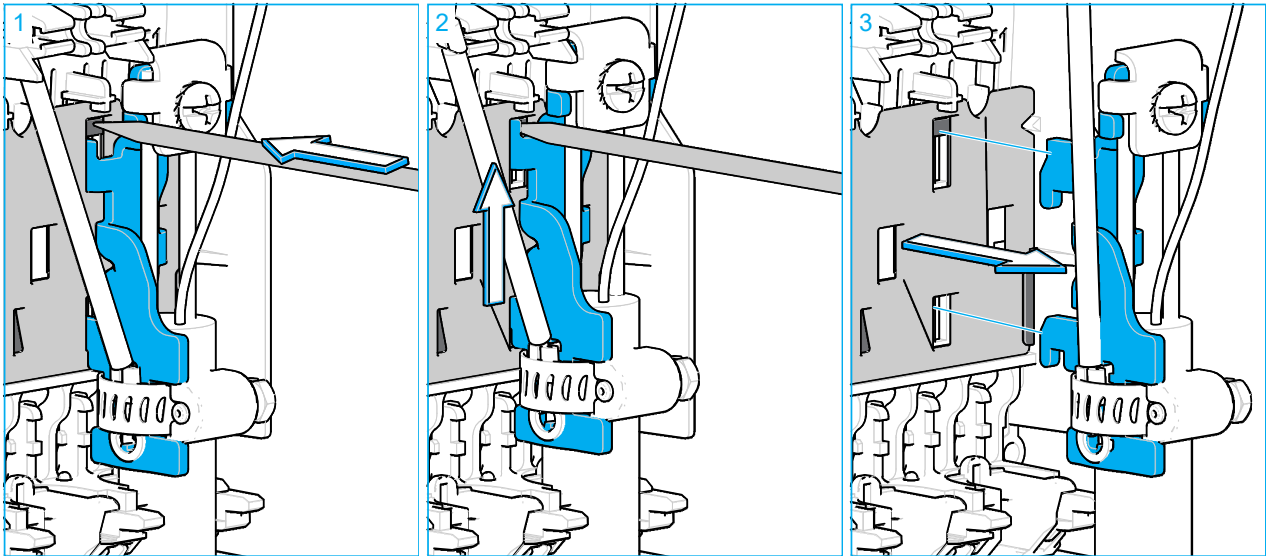
- 1 Install the feeder cable (with the strain relief bracket installed) into the organizer. A loop feeder cable will typically be installed one end left (F2 - feeder out) and one end right (F1 - feeder in).
- 2 The bracket snaps in the interface plate of the organizer.

6 Install grounding bar



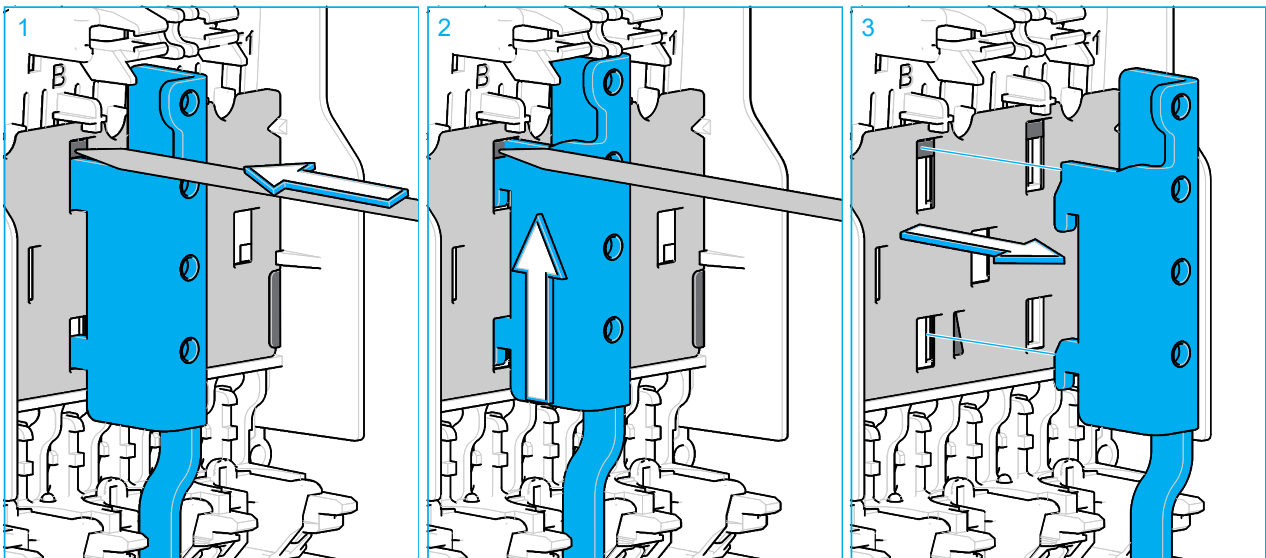
- 1 Install the grounding bar into the organizer.
- 2 The bracket snaps in the holder of the organizer.
- 3 Secure the grounding cables of the feeder cables on the grounding bar with the supplied screws.

7 Remove feeder cable



- 1 To remove the feeder cable strain relief bracket, position the fiber guidance pen in the slot at the top left of the support and press to release the lock.
- 2 Release the bracket by sliding upwards while maintaining pressure on the lock.
- 3 Remove the bracket and the cable.

8 Remove grounding bar



- 1 To remove the grounding bar, position the fiber guidance pen in the slot at the top left of the support and press to release the lock.
- 2 Release the grounding bar by sliding upwards while maintaining pressure on the lock.
- 3 Remove the grounding bar.