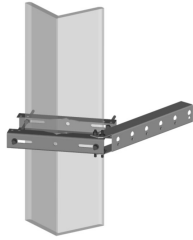


SS-1FB2550



Star Support Face Bracket, single, for 1-1/2 in to 5-9/16 in OD round members and 2-1/2 in to 5 in angle members

Product Classification

Product Type Star Support Bracket

General Specifications

Cable Runs, quantity 6

Hole, quantity 6

Mounting Angle members, 63.5–127 mm (2-1/2 in to 5 in) | Round member, 38.1–141.29 mm (1-1/2 in to 5-9/16 in) OD

Dimensions

Height 101.6 mm | 4 in

Width 304.8 mm | 12 in

Length 254 mm | 10 in

Mounting Diameter 2, maximum 127 mm | 5 in

Mounting Diameter 2, minimum 63.5 mm | 2.5 in

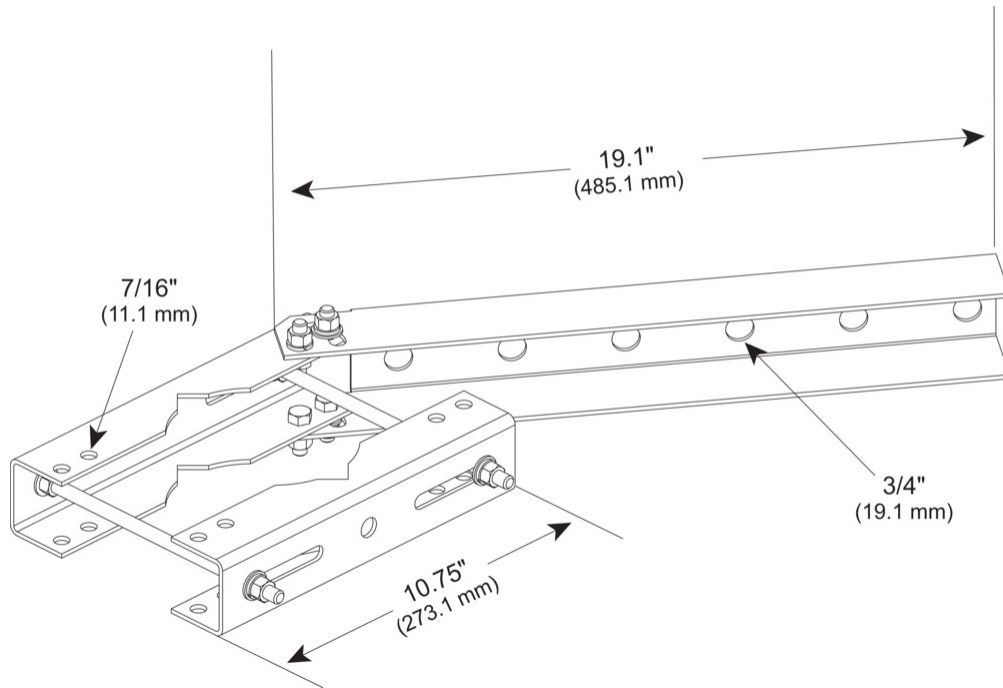
Mounting Diameter, maximum 142.24 mm | 5.6 in

Mounting Diameter, minimum 38.1 mm | 1.5 in

Hole Size 3/4 in | 7/16 in

SS-1FB2550

Outline Drawing



Material Specifications

Material Type Hot dip galvanized steel

Packaging and Weights

Included Brackets
Packaging quantity 1
Weight, net 3.6 kg | 7.937 lb

Regulatory Compliance/Certifications

Agency	Classification
ISO 9001:2015	Designed, manufactured and/or distributed under this quality management system
REACH-SVHC	Compliant as per SVHC revision on www.commscope.com/ProductCompliance
ROHS	Compliant
UK-ROHS	Compliant

Included Products

SS-FB - Star Support Face Bracket

