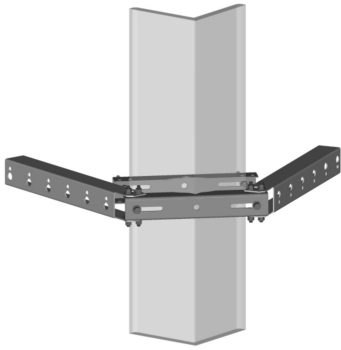


# SS-2FB6080

---



Star Support Face Bracket, dual, for 4 in to 10-3/4 in OD round members and 4 in to 8 in angle members

## Product Classification

**Product Type** Star Support Bracket

## General Specifications

**Cable Runs, quantity** 12

**Hole, quantity** 12

**Mounting** Angle members, 101.6–203.2 mm (4–8 in) | Round member, 101.6–273.05 mm (4 in to 10-3/4 in) OD

## Dimensions

**Height** 101.6 mm | 4 in

**Width** 304.8 mm | 12 in

**Length** 254 mm | 10 in

**Mounting Diameter 2, maximum** 203.2 mm | 8 in

**Mounting Diameter 2, minimum** 101.6 mm | 4 in

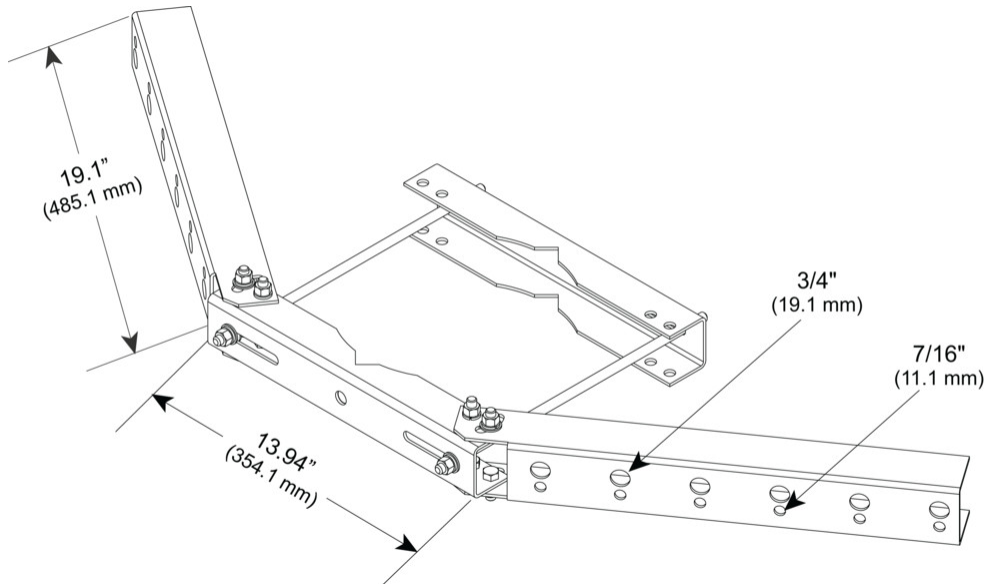
**Mounting Diameter, maximum** 274.32 mm | 10.8 in

**Mounting Diameter, minimum** 101.6 mm | 4 in

**Hole Size** 3/4 in | 7/16 in

# SS-2FB6080

## Outline Drawing



## Material Specifications

**Material Type** Hot dip galvanized steel

## Packaging and Weights

**Included** Brackets  
**Packaging quantity** 1  
**Weight, net** 5.9 kg | 13.007 lb

## Regulatory Compliance/Certifications

Agency	Classification
ISO 9001:2015	Designed, manufactured and/or distributed under this quality management system
REACH-SVHC	Compliant as per SVHC revision on <a href="http://www.commscope.com/ProductCompliance">www.commscope.com/ProductCompliance</a>
ROHS	Compliant
UK-ROHS	Compliant

## Included Products

SS-FB – Star Support Face Bracket